

FritsJurgens®

ASSEMBLY BOOK

ESTABLISHED IN THE NETHERLANDS, FRITSJURGENS WAS FOUNDED TO CREATE PIVOT DOOR SOLUTIONS THAT MAKE SMALL TO MONUMENTAL AND SIMPLE TO EXPERIMENTAL DOORS POSSIBLE.

Hidden perfection - A small floor plate and a ceiling plate are the only visible hardware and rest all are hidden.

Unlimited design - The door can be of any height and made of any material giving unlimited design possibilities.

Motion technology - Motion technology puts hydraulic power to use by making the door movement controlled and smooth.

Timeless quality - Built from high-performance materials, the systems are maintenance-free and perform flawlessly.

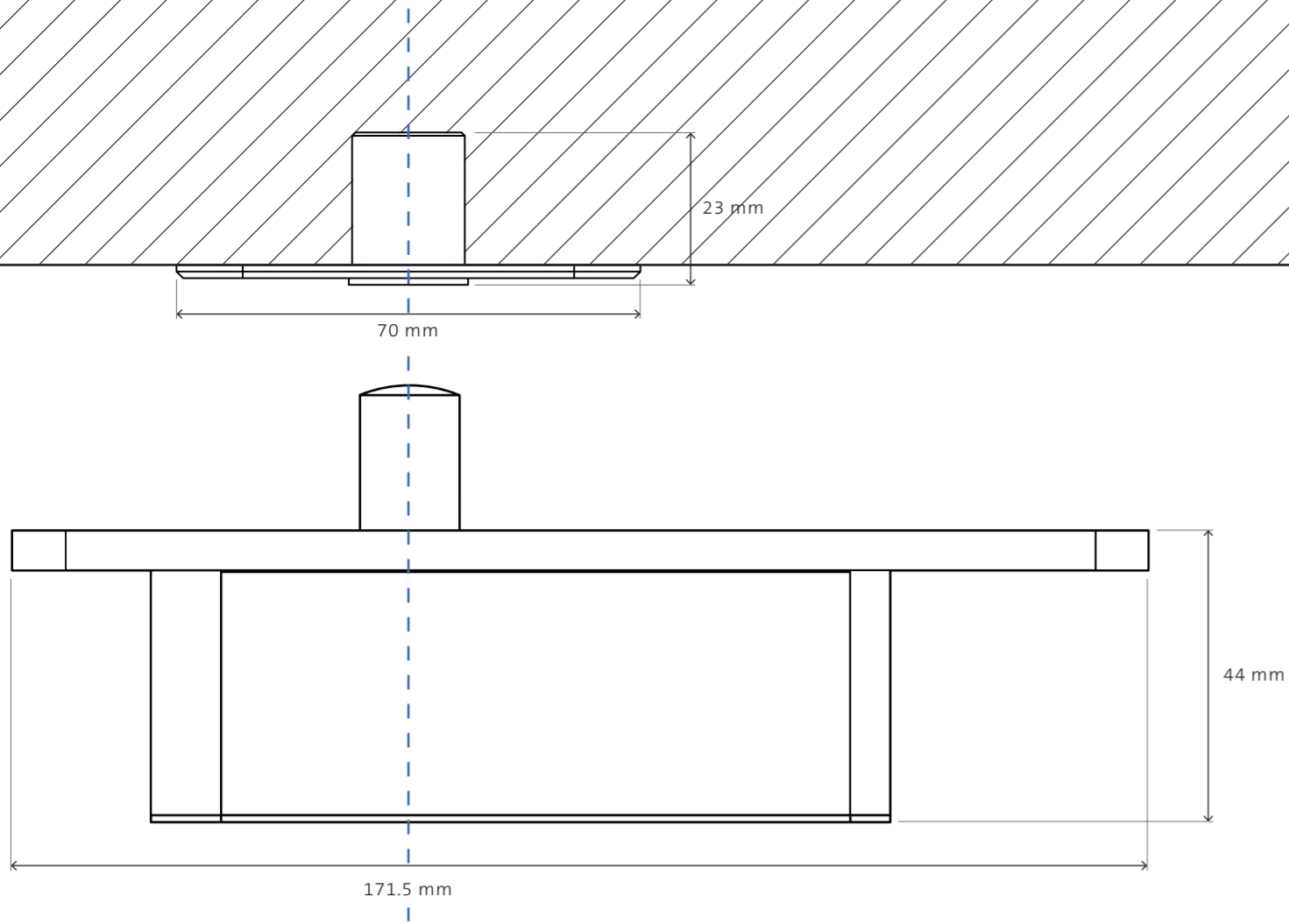
GLOBAL PRESENCE

We cater to customers across the globe and we have a distribution network in over 80 countries.



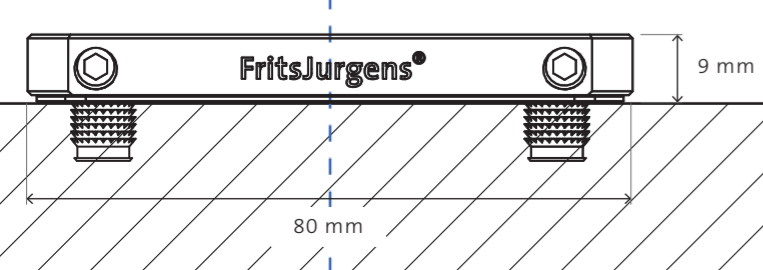
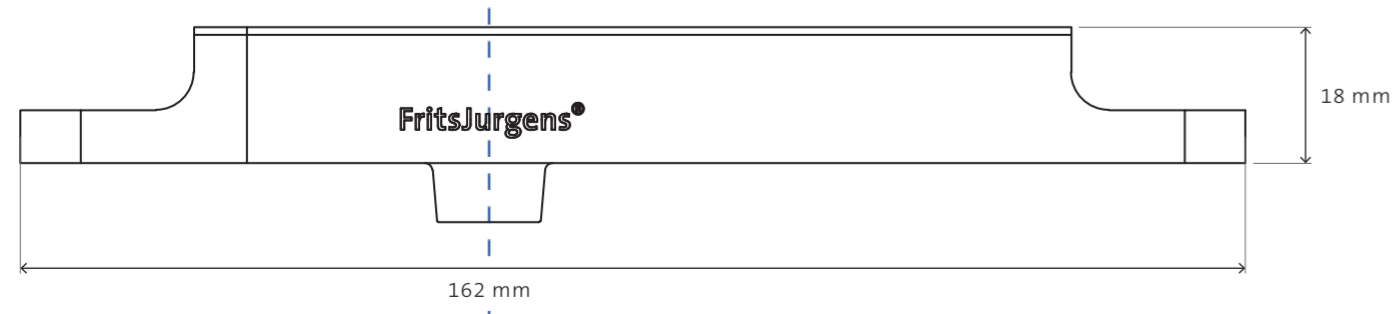
SAMPLE SUITCASE CONTENTS

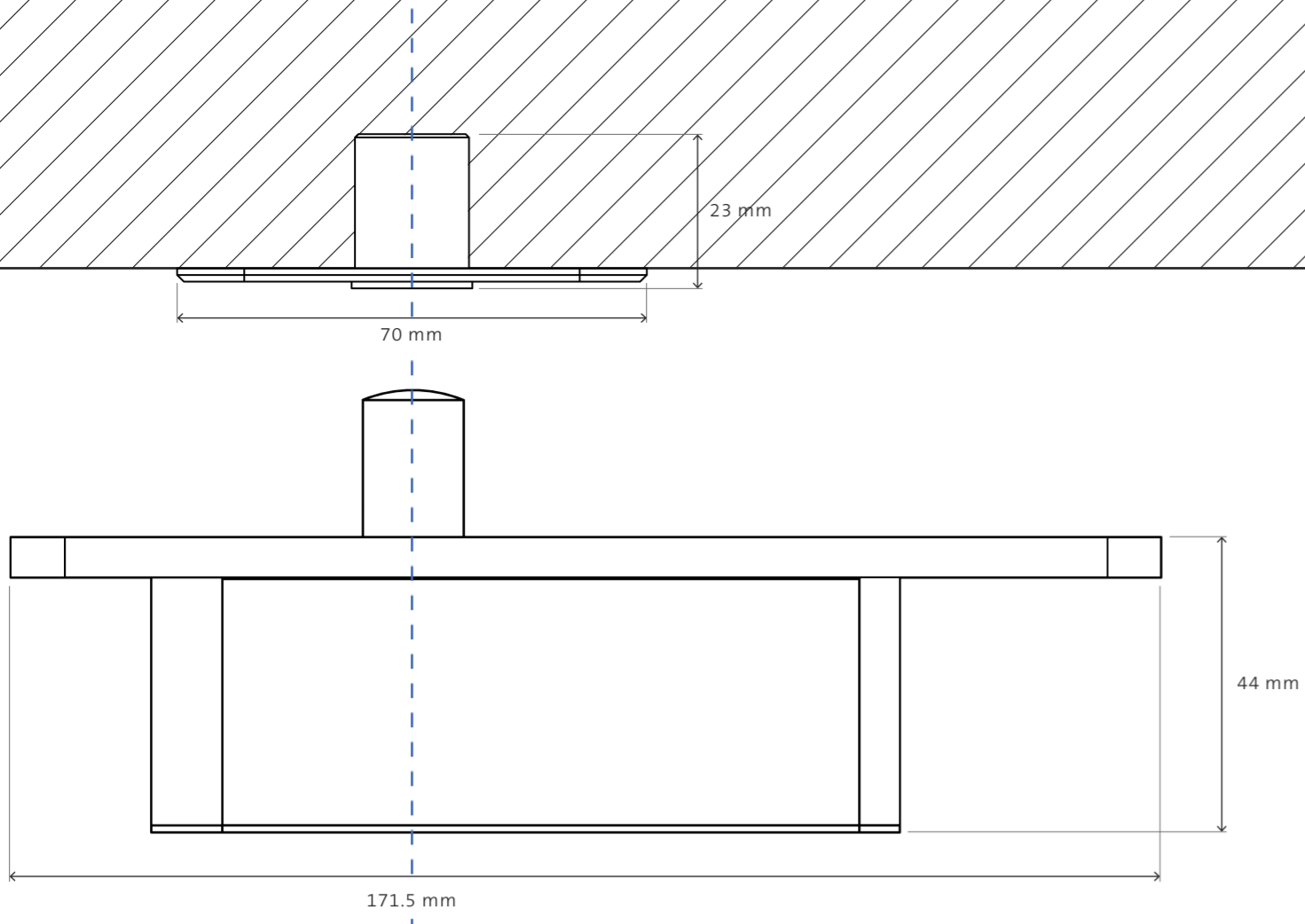
			1x	FritsJurgens Floor plate squared - stainless steel FPM.X.X.S.SS		
	1x	FritsJurgens Bottom pivot - System M+ 70 mm Class A - invisible BP.M+.70.A.X.XX			1x	FritsJurgens Floor plate squared - black FPM.X.X.S.BK
	1x	FritsJurgens Bottom pivot - System 3 70 mm Class AA - invisible BP.S3.70.AA.X.XX			1x	FritsJurgens Floor plate Flush squared - stainless steel FPM.X.X.FS.SS
	1x	FritsJurgens Bottom pivot - System One 70 mm Class G - invisible BP.One.70.G.X.XX			1x	FritsJurgens Floor plate System One/3 - squared - stainless steel FPS13.X.X.S.SS
	1x	FritsJurgens Top pivot - 70 mm Class G - invisible TPX.70.G.X.XX			1x	FritsJurgens Floor plate round - black FPM.X.X.R.BK
	1x	FritsJurgens Top pivot - 40 mm Class B - stainless steel TPX.40.B.X.SS			1x	FritsJurgens Floor plate squared NA - stainless steel FPM.X.X.SN.SS
	1x	FritsJurgens Top pivot - Cable Grommet Class G - invisible TPX.CG.G.X.XX			1x	FritsJurgens Ceiling plate Class B - squared - black CPX.X.B.S.BK
	1x	FritsJurgens Top pivot Reversed - TP-R Class G - stainless steel TPX.TP-R.G.X.SS			1x	FritsJurgens Ceiling plate Class G - squared - stainless steel CPX.X.G.S.SS
	1x	FFritsJurgens Cover Plate TP-R - black FJ.TPCO.TP-R.BK			1x	FritsJurgens System 3 spanner FJ.MT.AW.S3
	1x	FritsJurgens Cover Plate TP-R - white FJ.MT.AK5x24			1x	FritsJurgens Tool allen key #5 (24 cm) FJ.MT.AK5x24
	1x	FritsJurgens Receiver - Class G - narrow - stainless steel CPX.X.G.N.SS			1x	FritsJurgens HEX5 Fine tuning key/spanner FJ.MT.AS.M
	1x	FritsJurgens Adapters (2 pcs) - 2 mm narrow MT.Adapt.2.N			1x	FritsJurgens Axle Wrench TO.M
	1x	FritsJurgens Assembly BP.cover plate System One stainless steel FJ.BPCO.One.SS			1x	FritsJurgens Tool drilling template System One/3 FJ.MT.DT.S13
	1x	FritsJurgens Assembly BP.cover plate System One black FJ.BPCO.One.BK			1x	FritsJurgens Tool drilling template System M FJ.MT.DT.M
	1x	FritsJurgens Assembly BP.cover plate System M+ (Class A/B/C/D/E) stainless steel FJ.BPCO.M32+.SS			4x	FritsJurgens Assembly FP,pen 30 FJ.FP.PE.30
	1x	FritsJurgens Assembly BP.cover plate System M+ (Class A/B/C/D/E) black FJ.BPCO.M32+.BK			4x	FritsJurgens Assembly FP,pen 8 mm (14 mm screw) FJ.FP.PE.8x14



← 70 mm from the side of the door

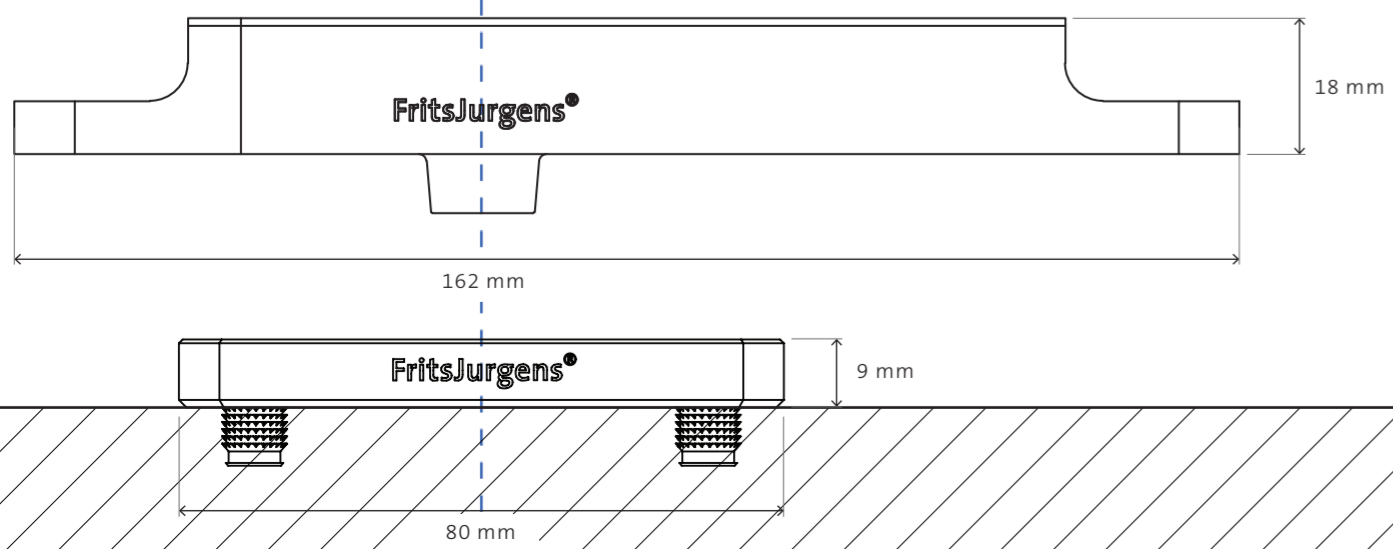
System One, pivot position ≥ 70 mm (Class G), standard floor plate

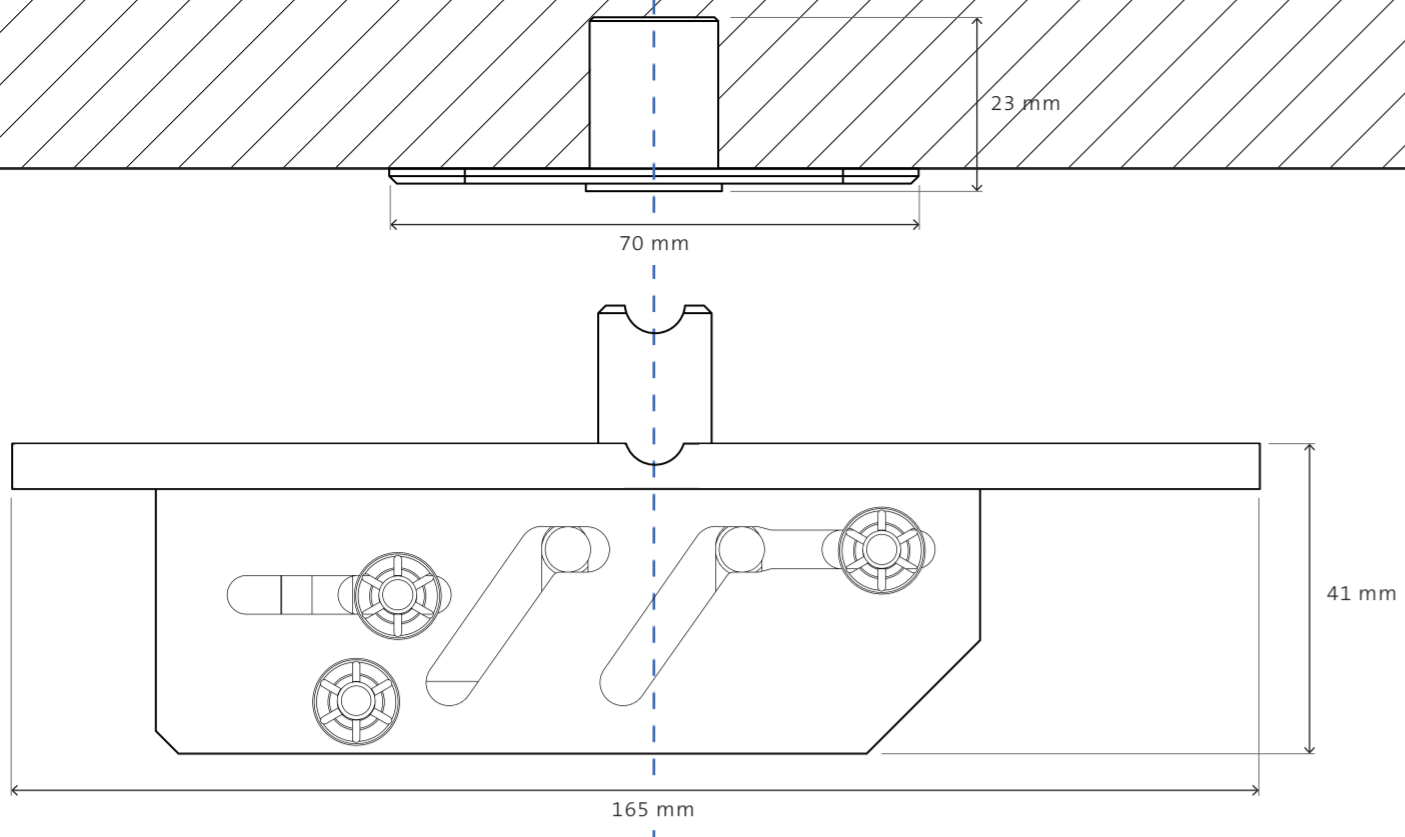




System One, pivot position ≥ 70 mm (Class G), non adjustable floor plate

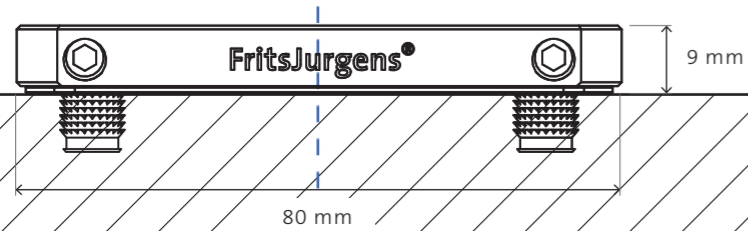
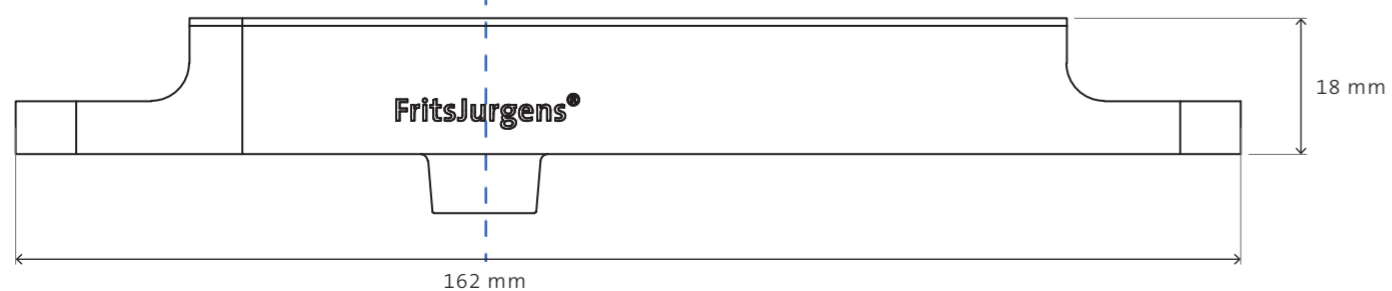
70 mm from the side of the door

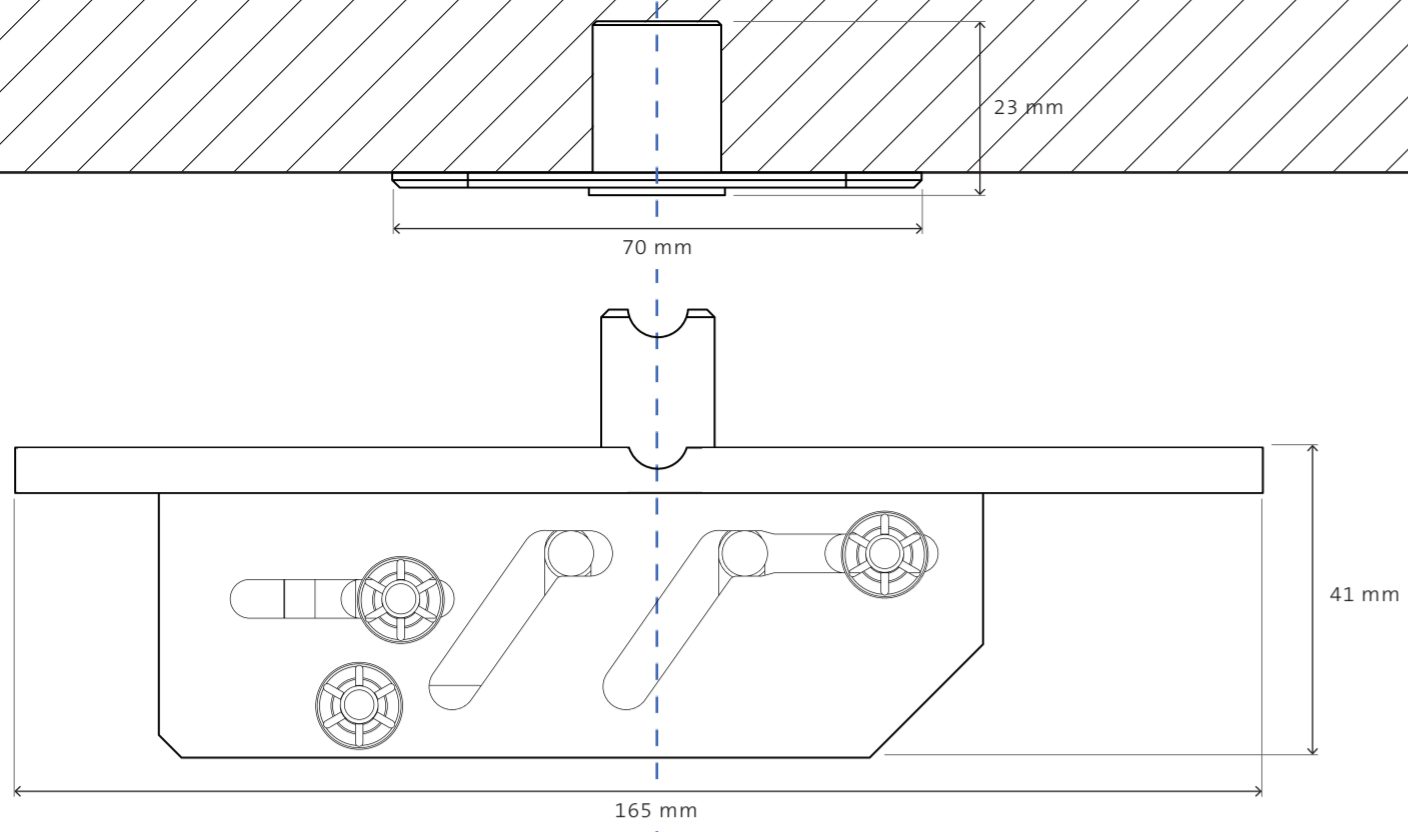




System One, pivot position ≥ 91 mm with Cable Grommet (Class G), standard floor plate

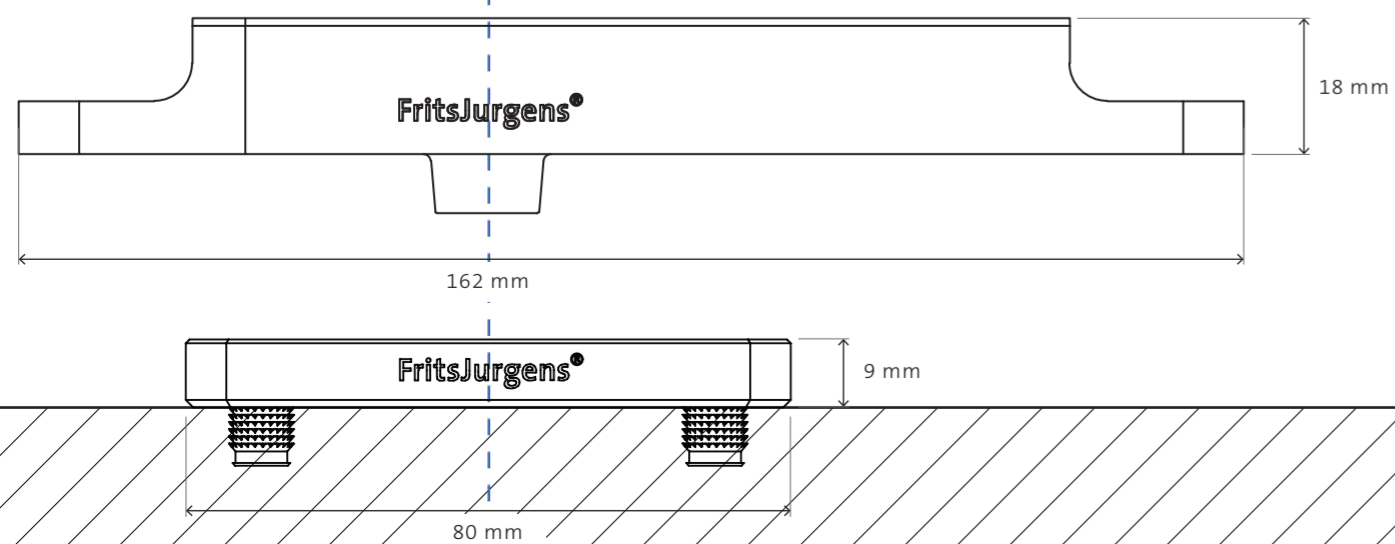
91 mm from the side of the door

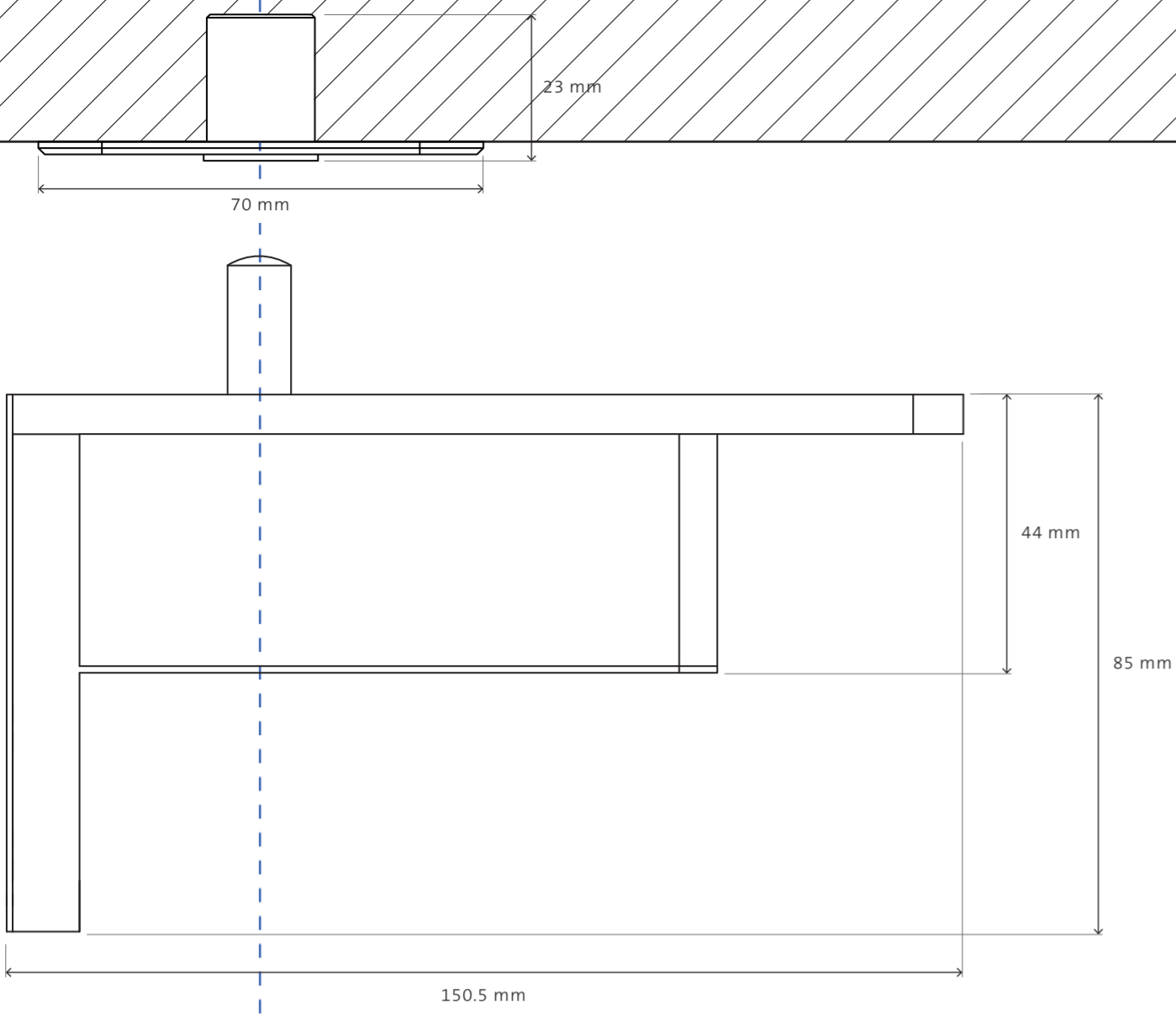




System One, pivot position ≥ 91 mm with Cable Grommet (Class G), non adjustable floor plate

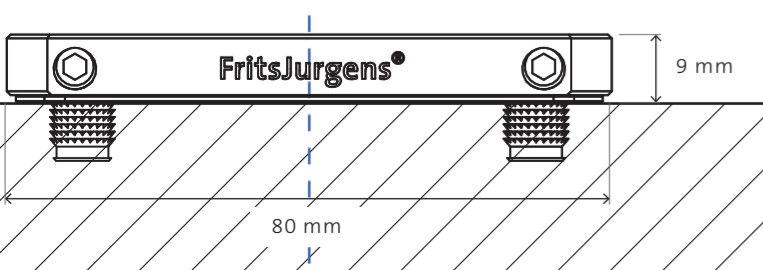
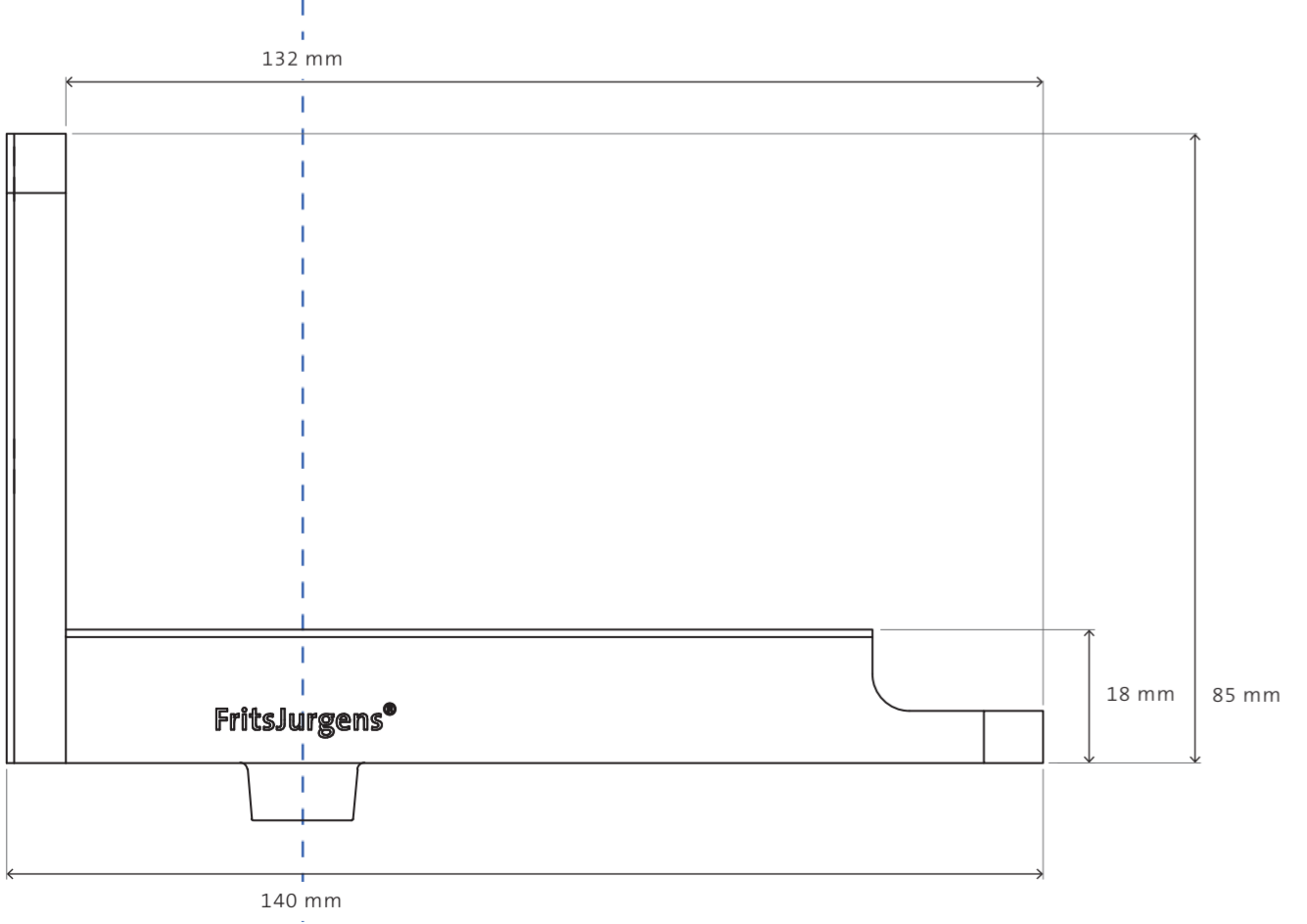
91 mm from the side of the door

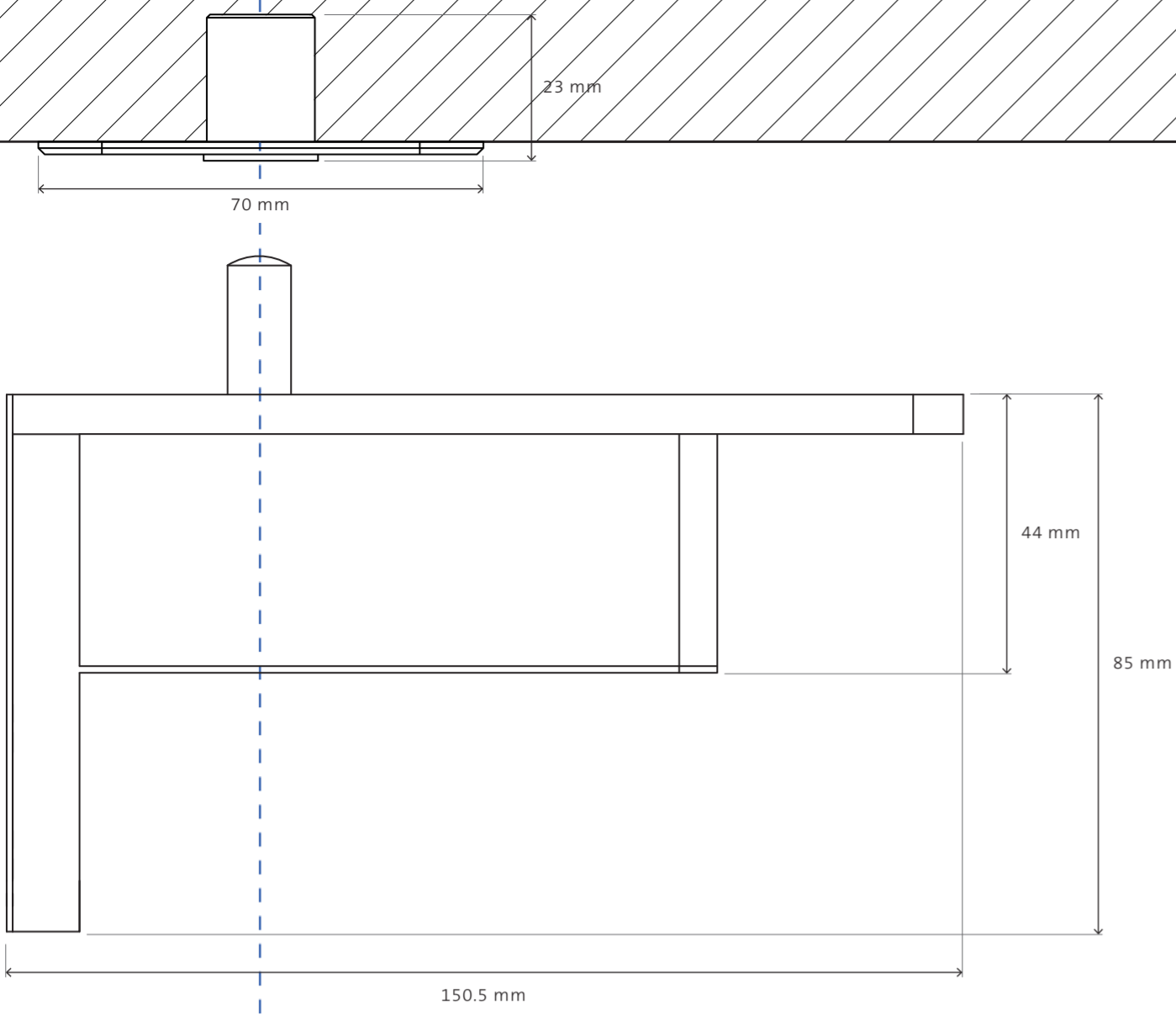




40 mm from
the side of the door

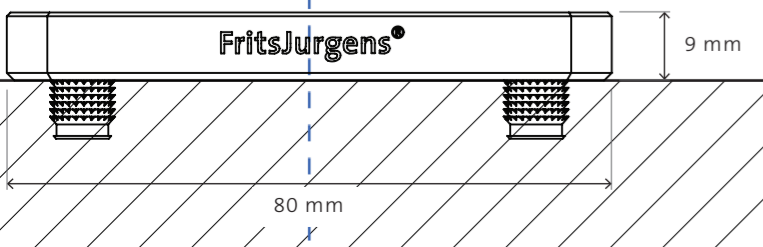
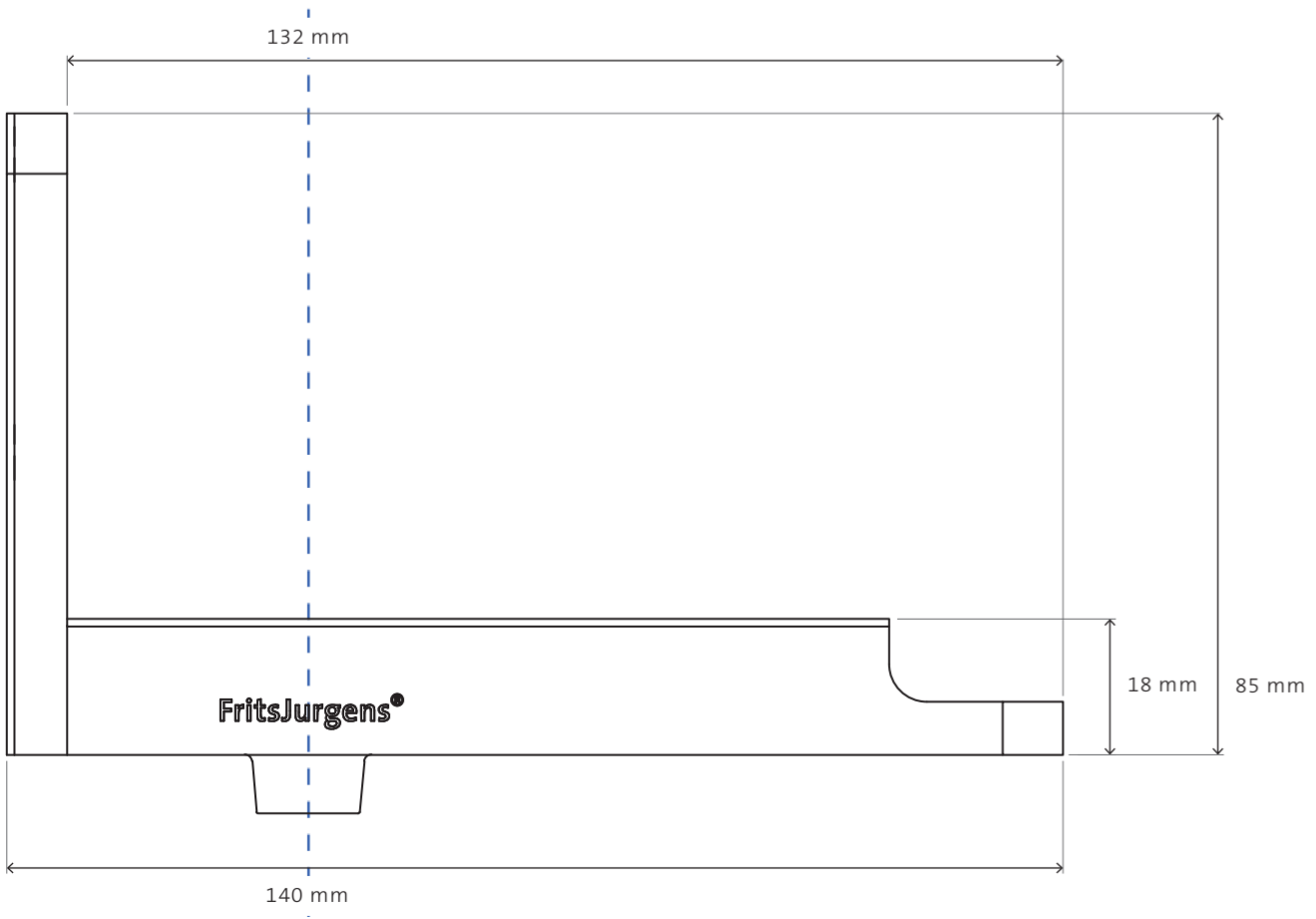
System One, pivot position 40 mm (Class G), standard floor plate

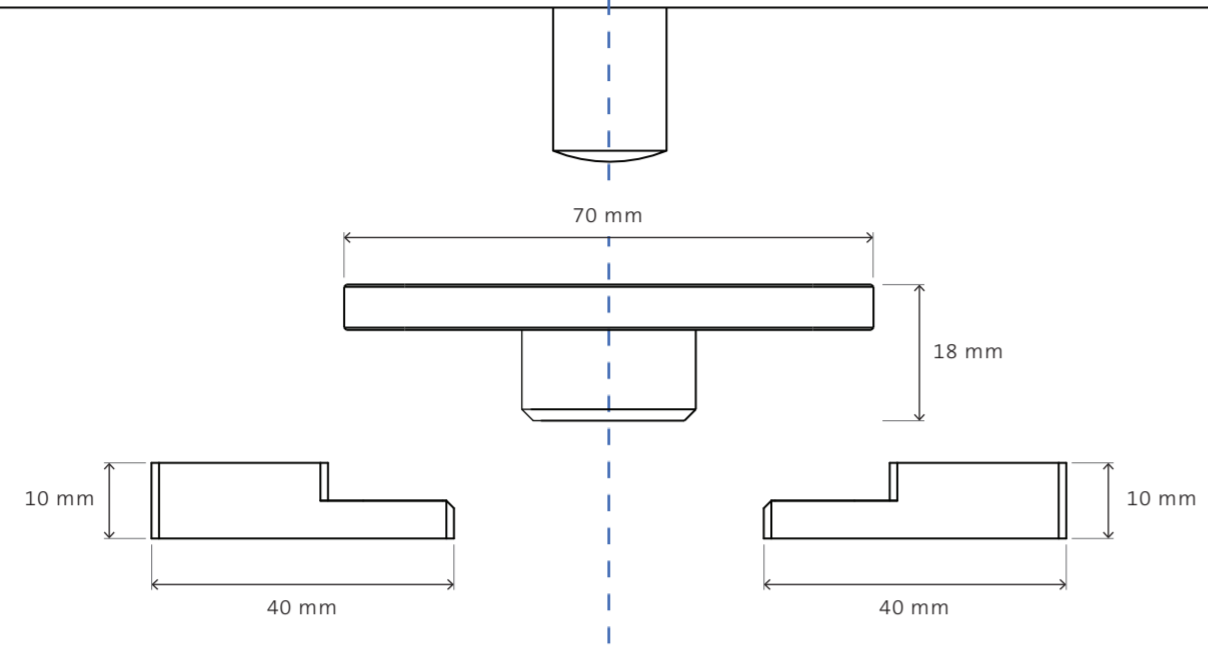
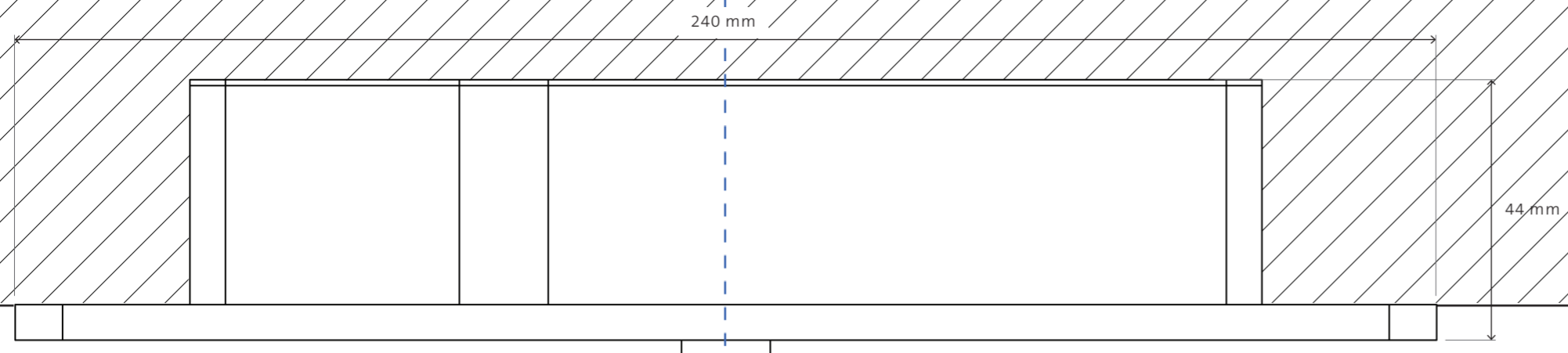




40 mm from
the side of the door

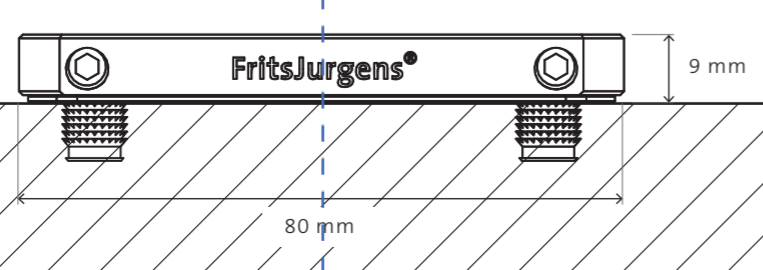
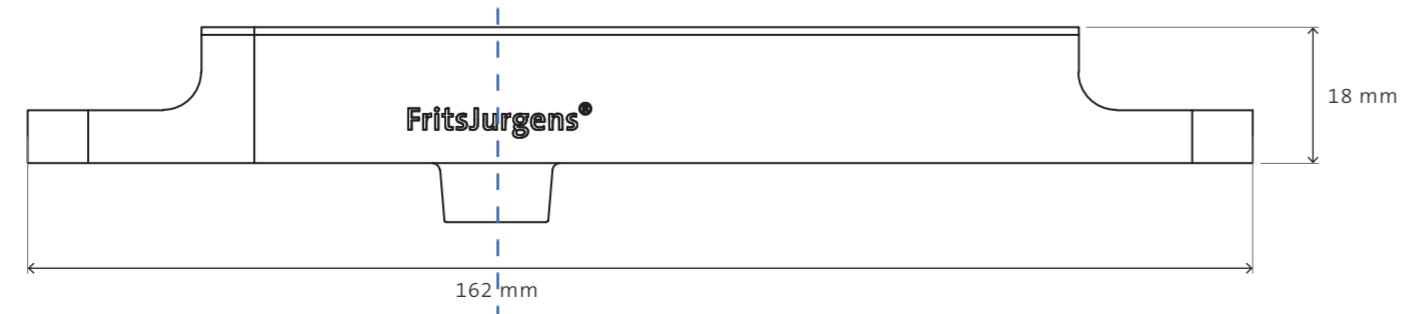
System One, pivot position 40 mm (Class G), non adjustable floor plate

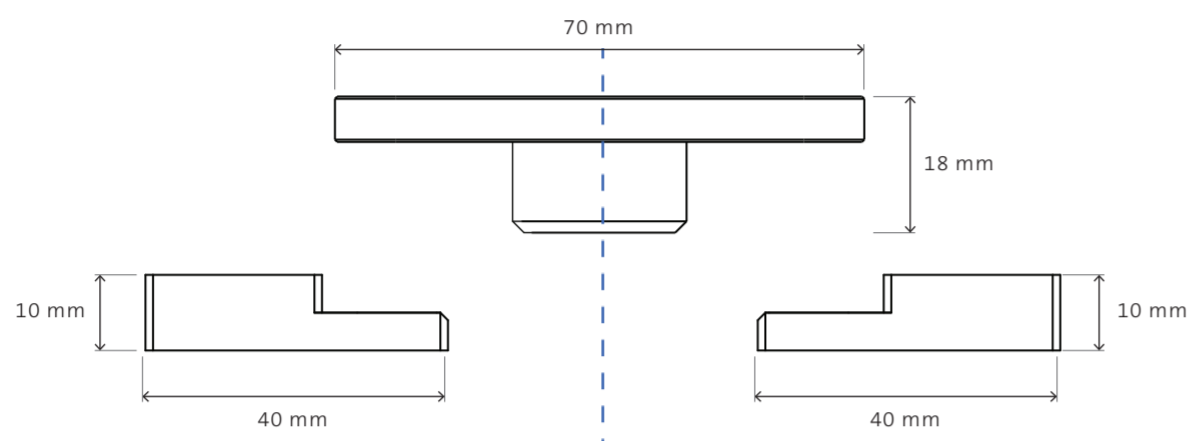
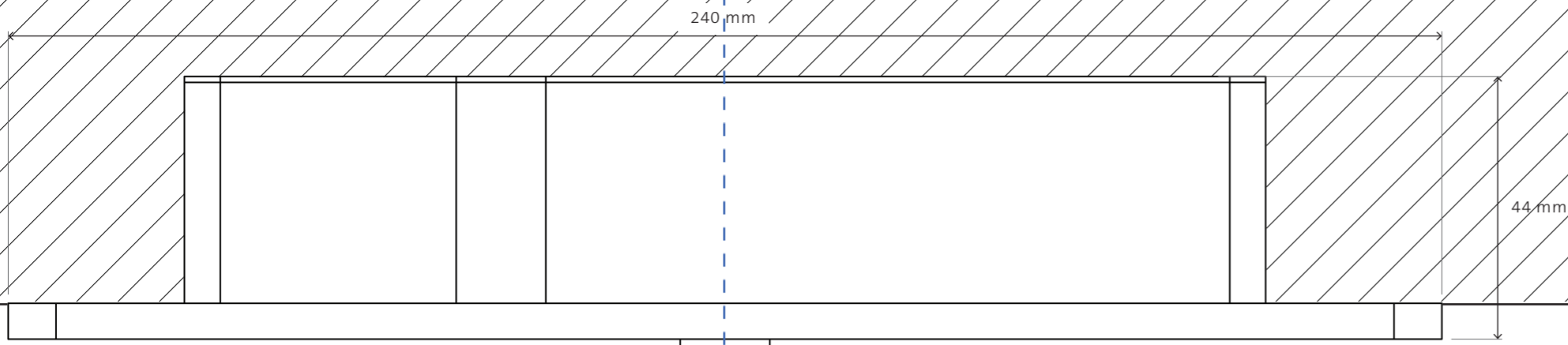




← 130 mm from the side of the door

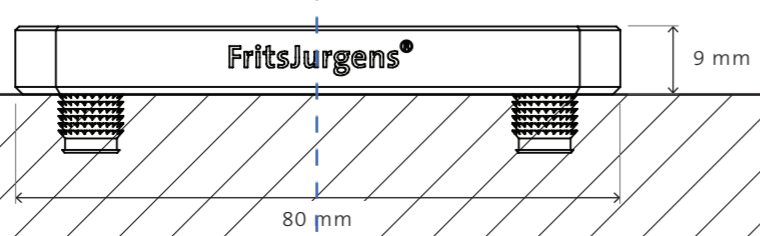
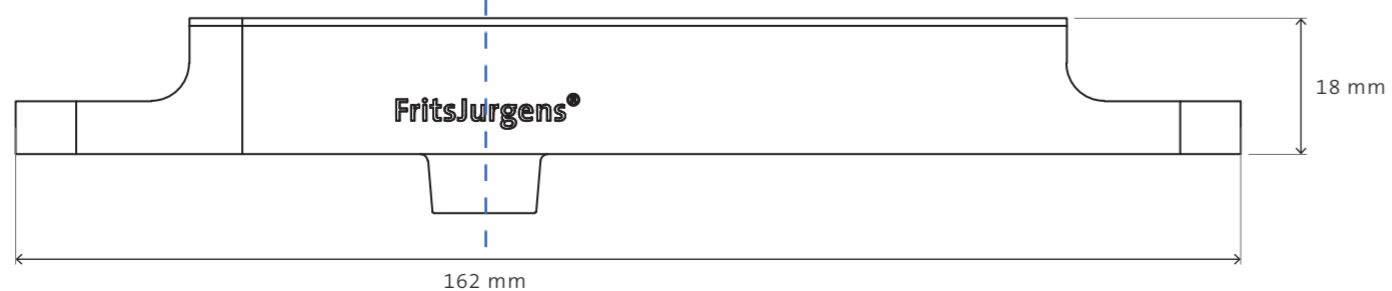
System One with TP-R (Class G), standard floor plate

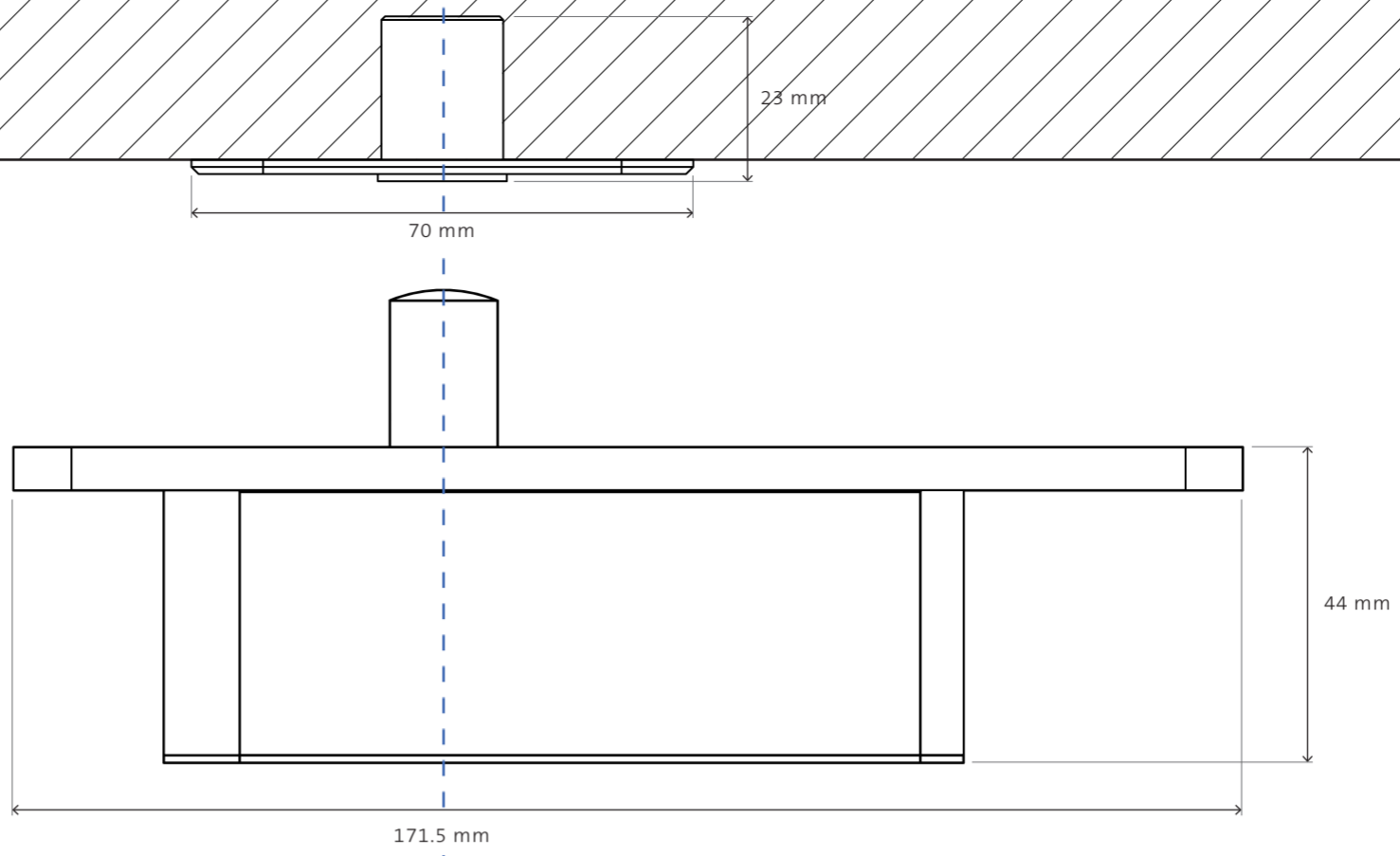




130 mm from the side of the door

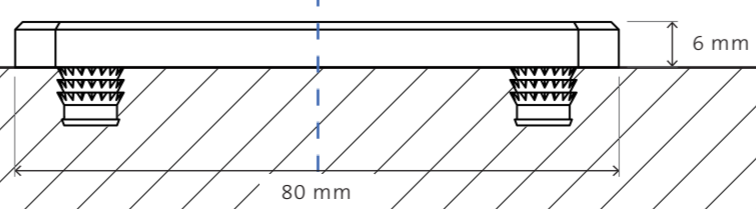
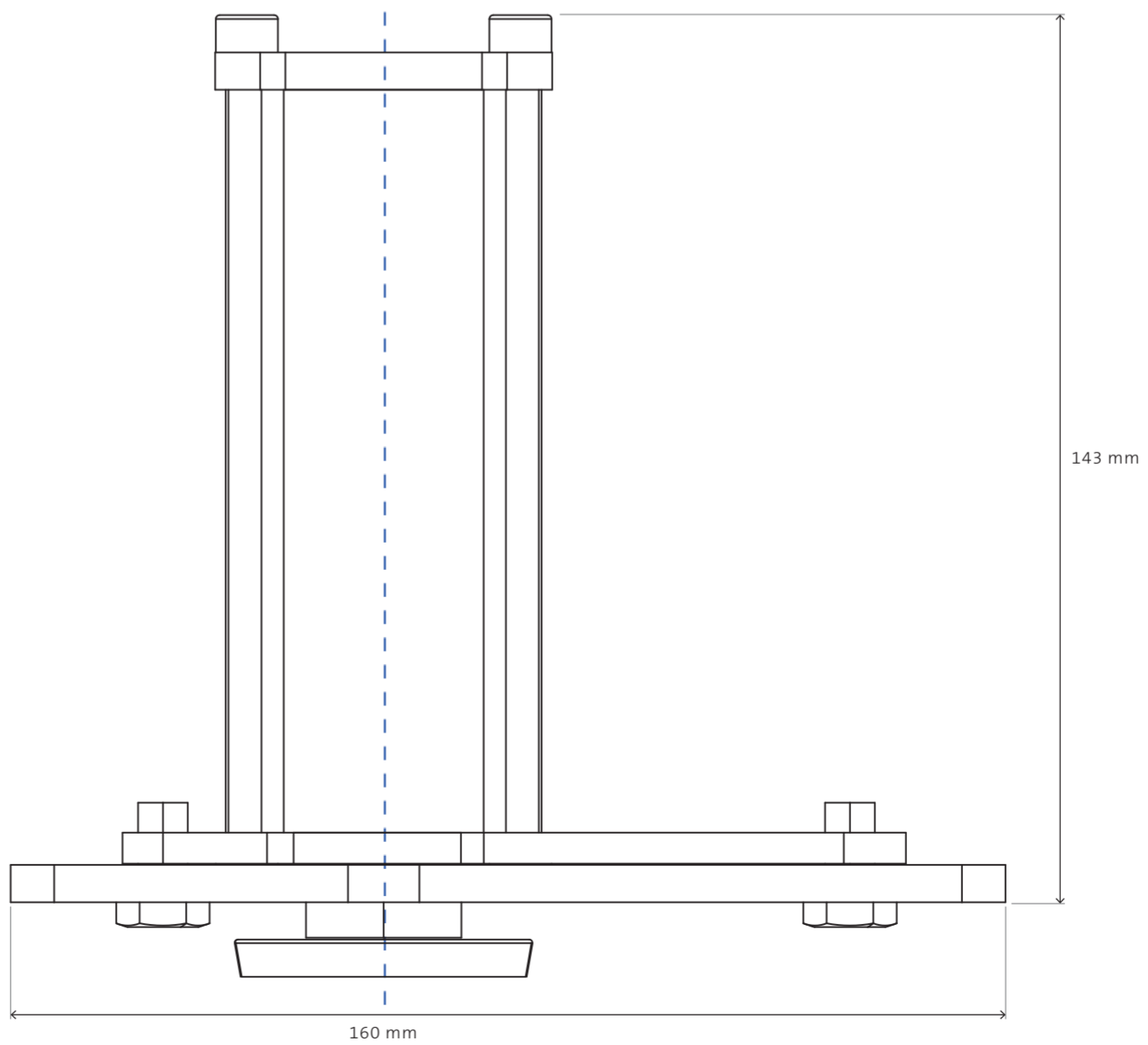
System One with TP-R (Class G), non adjustable floor plate

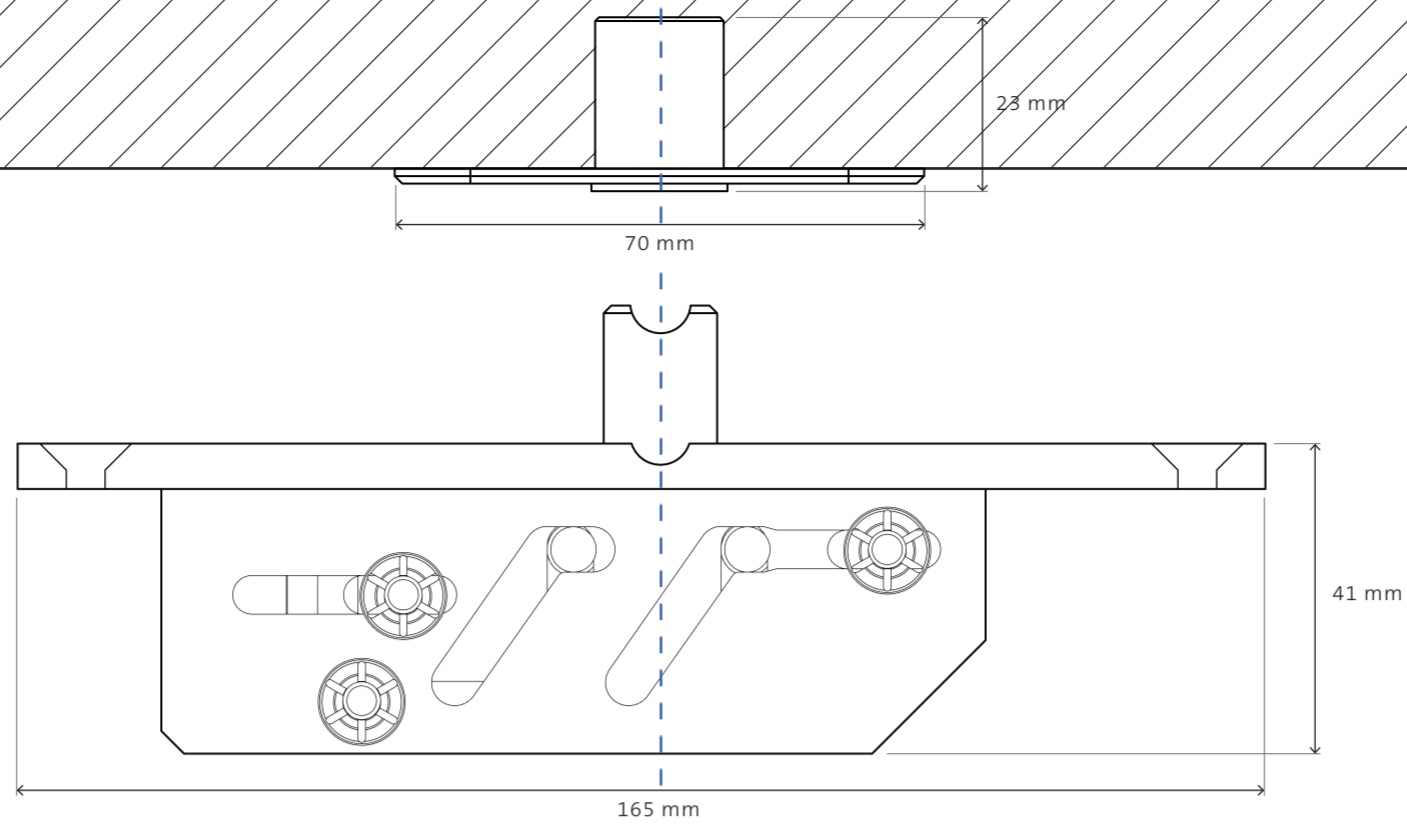




System 3, pivot as middle position of door width (Standard top pivot 70mm)

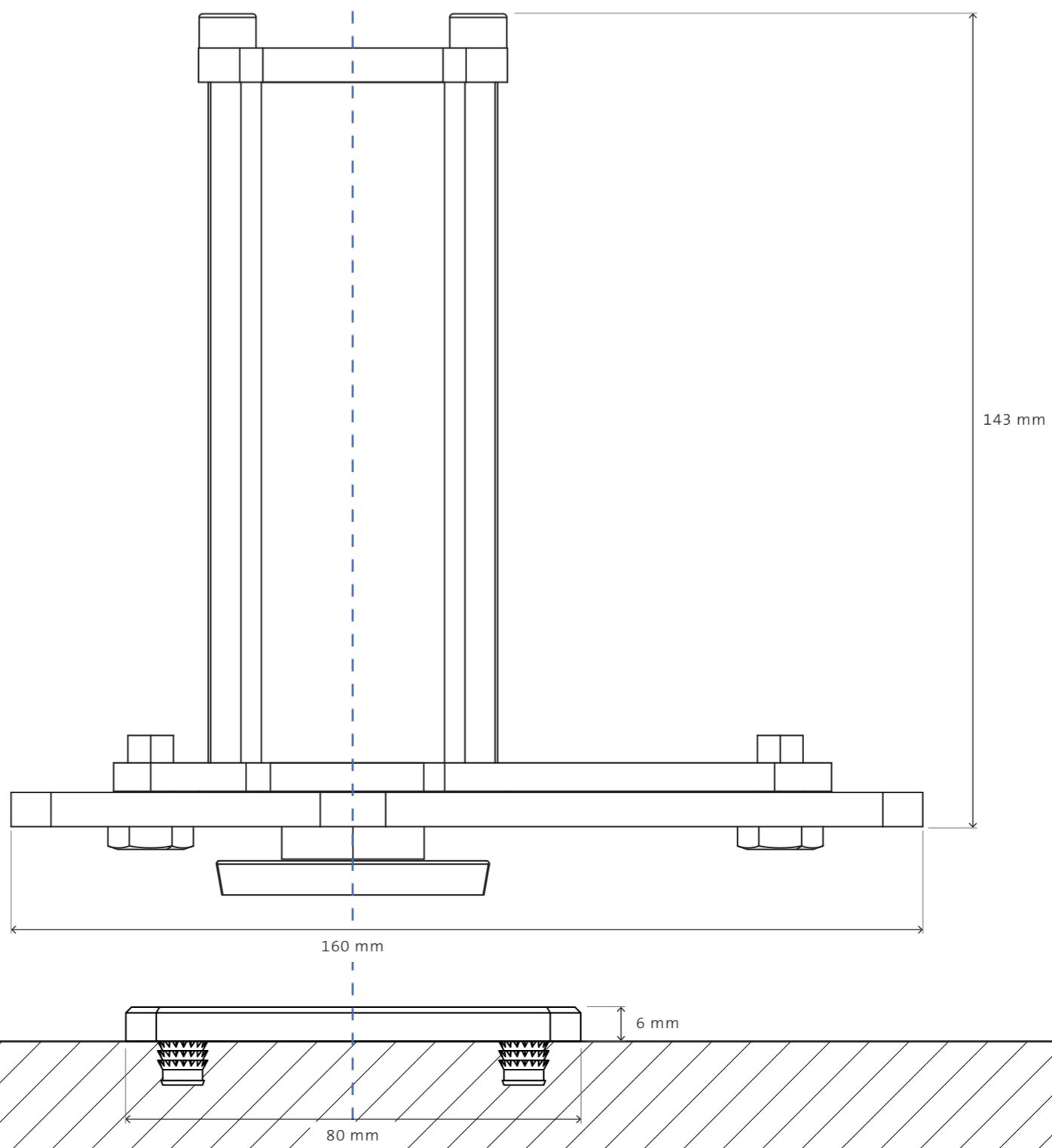
← middle of the door's width

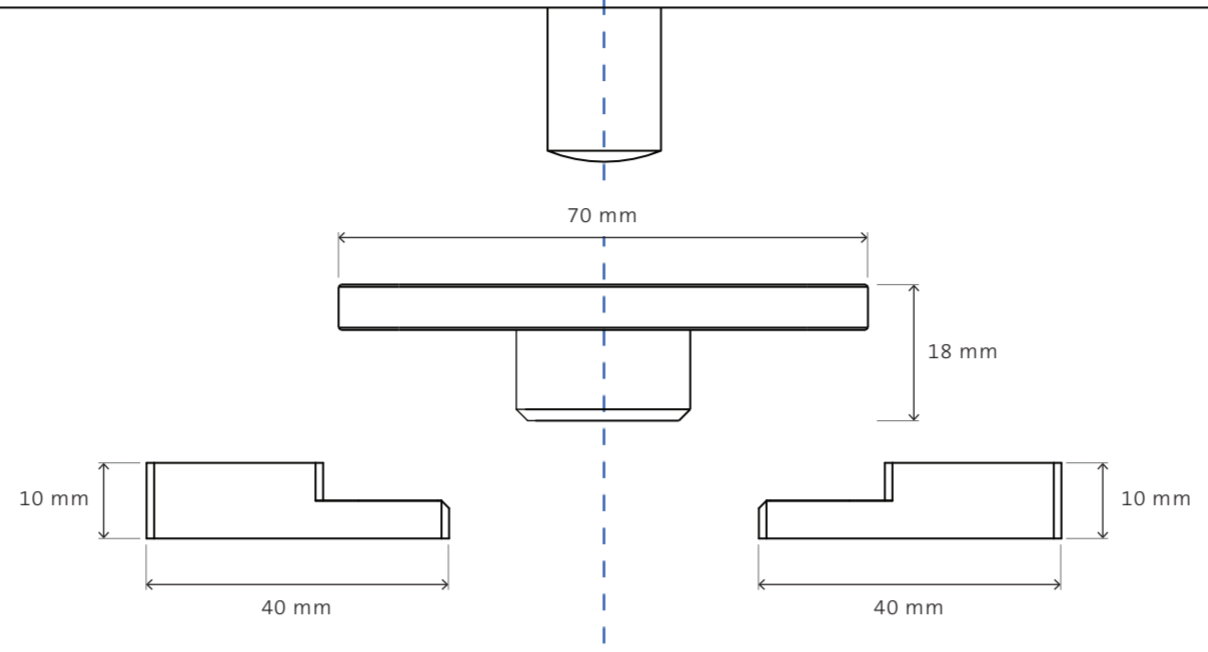
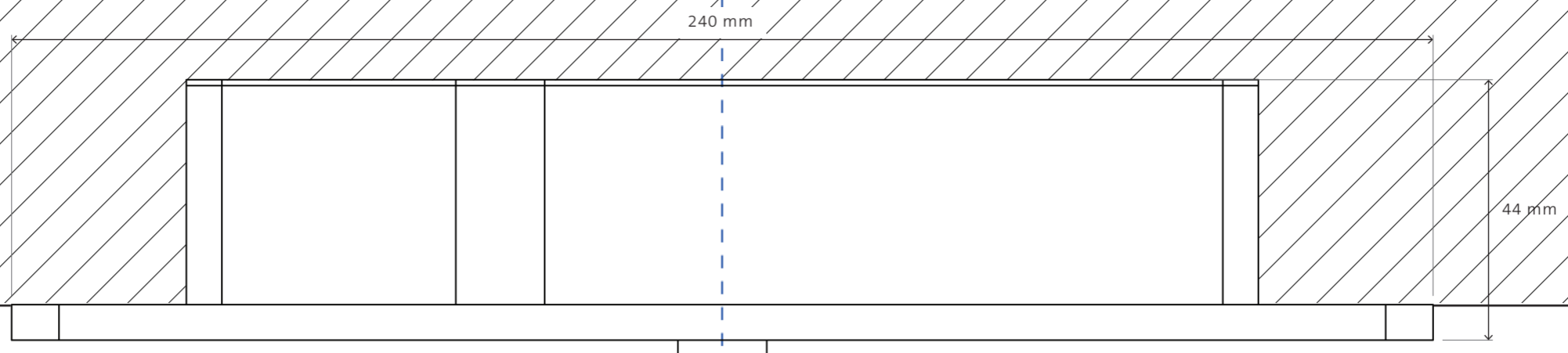




**System 3, pivot as middle position
of door width (with Cable Grommet)**

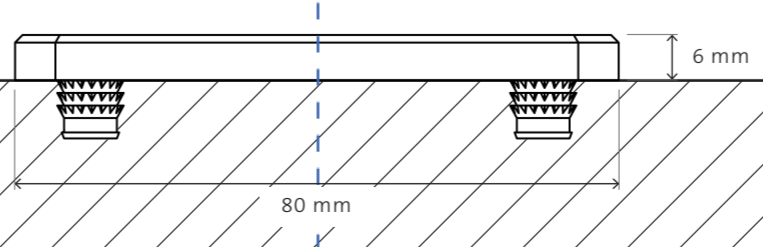
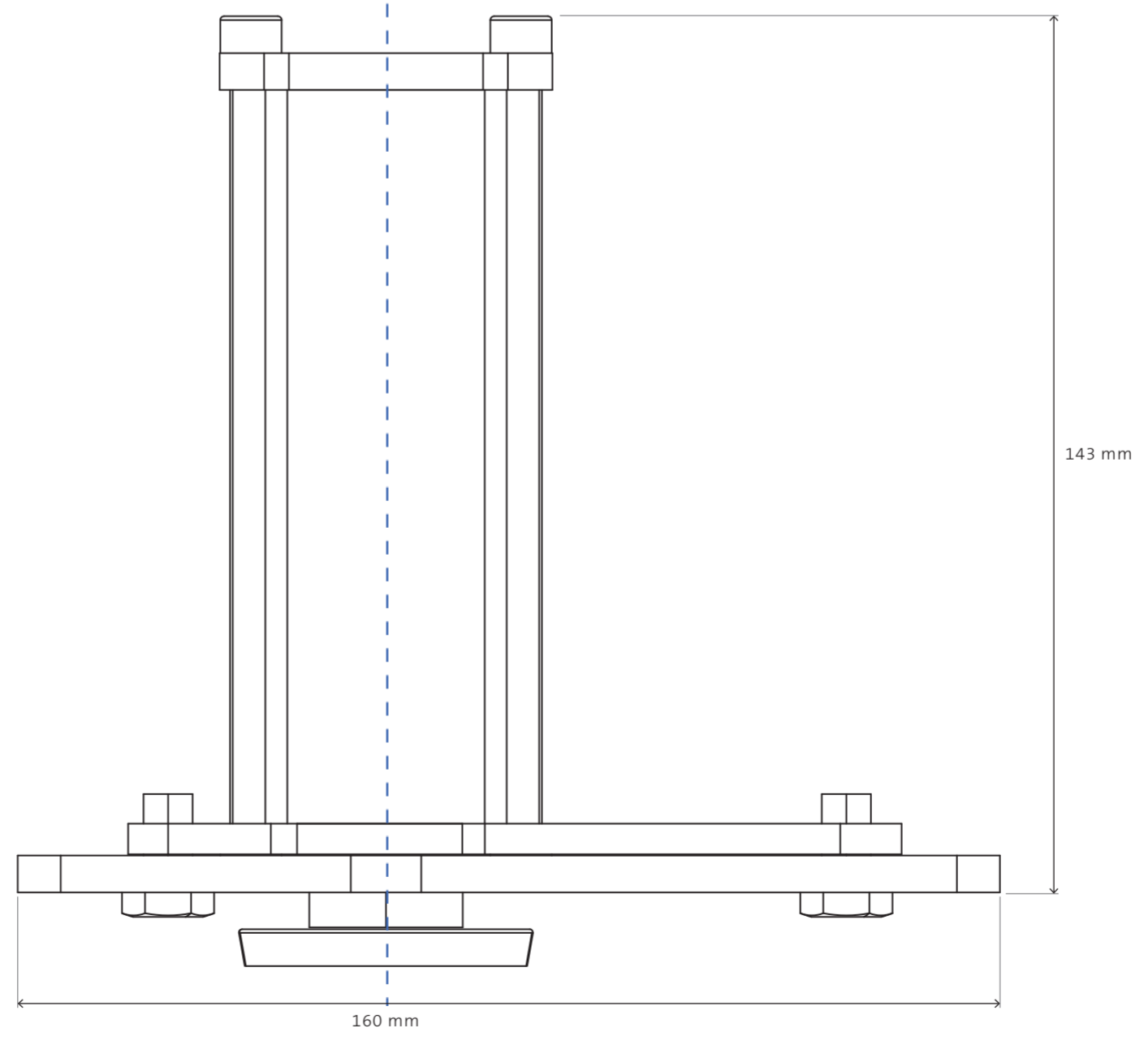
← middle of the door's width →

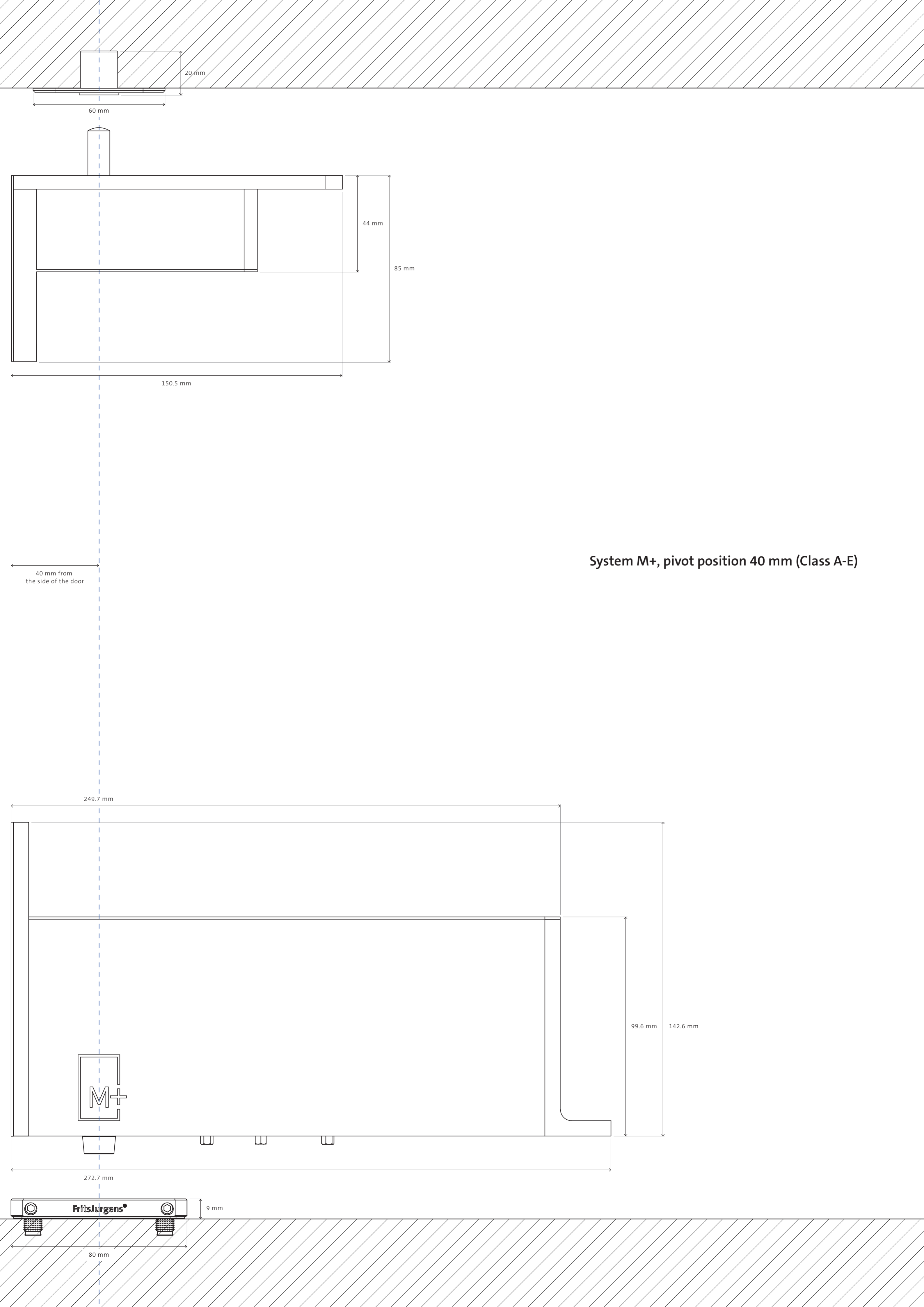




← middle of the door's width →

System 3, pivot as middle position of door width (with TP-R)





20 mm

60 mm

44 mm

85 mm

150.5 mm

40 mm from
the side of the door

System M+, pivot position 40 mm (Class A-E)

249.7 mm

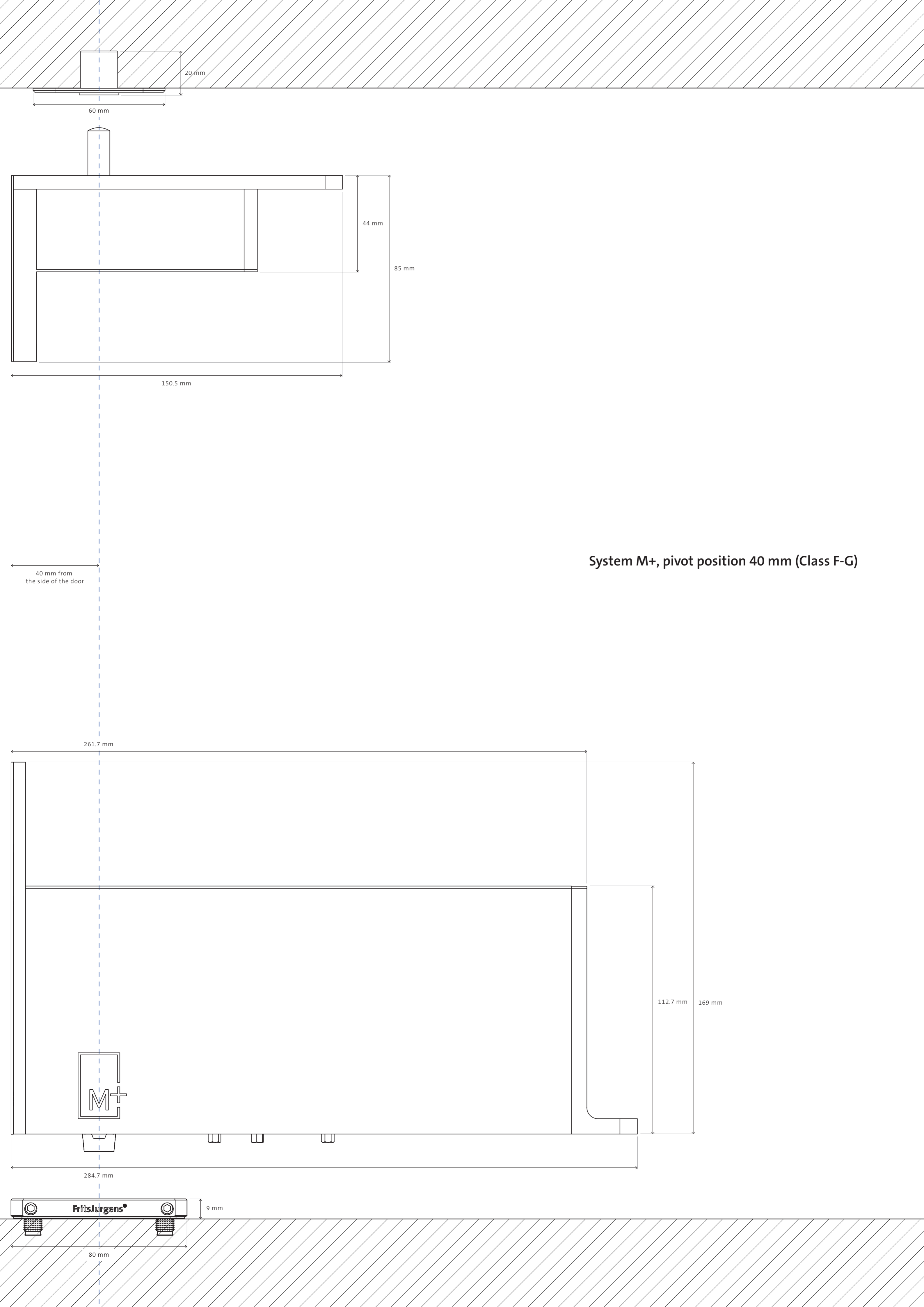
99.6 mm 142.6 mm

272.7 mm

9 mm

80 mm

FritsJurgens®



20 mm

60 mm

44 mm

85 mm

150.5 mm

40 mm from
the side of the door

System M+, pivot position 40 mm (Class F-G)

261.7 mm

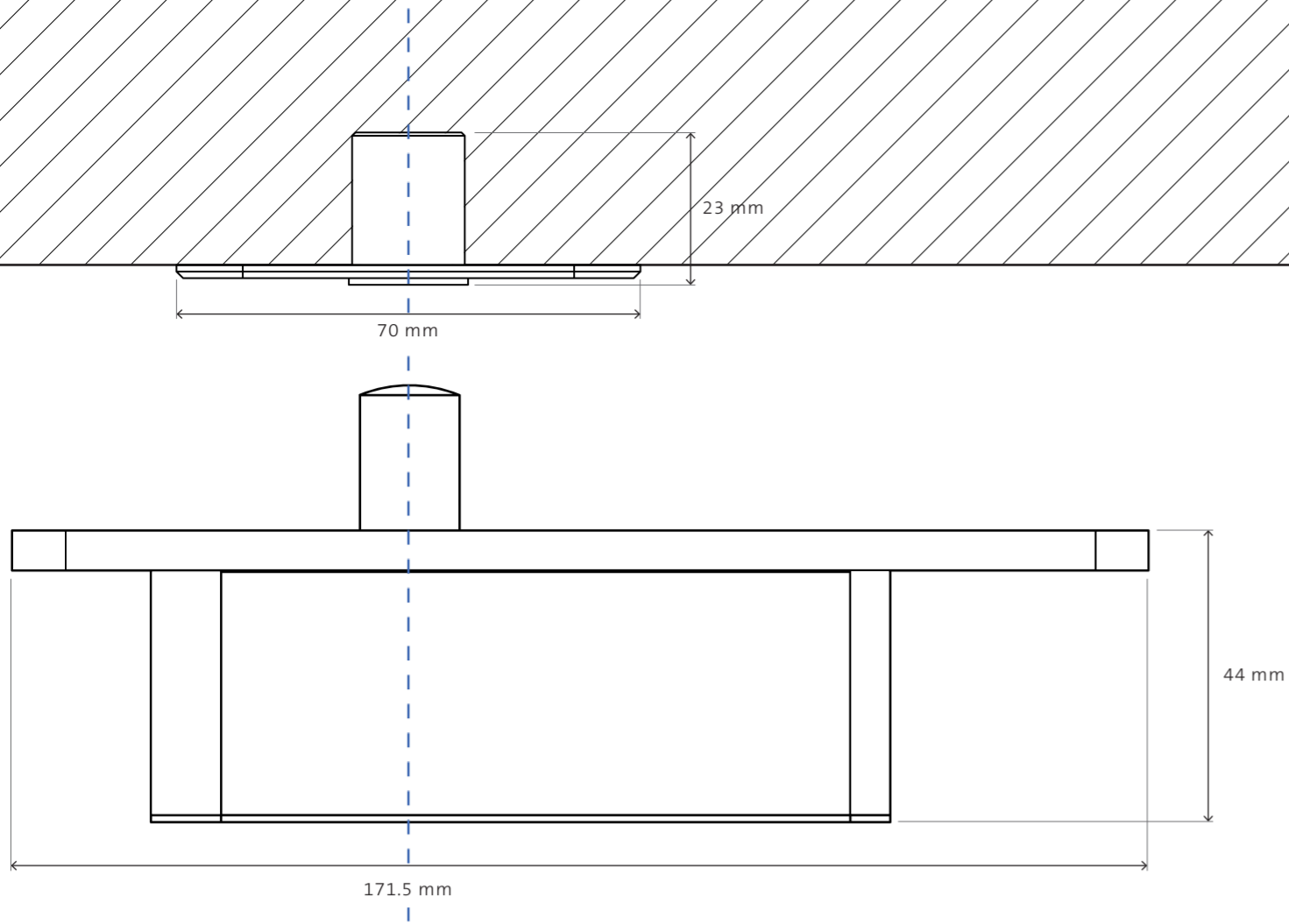
112.7 mm 169 mm

284.7 mm

FritsJurgens®

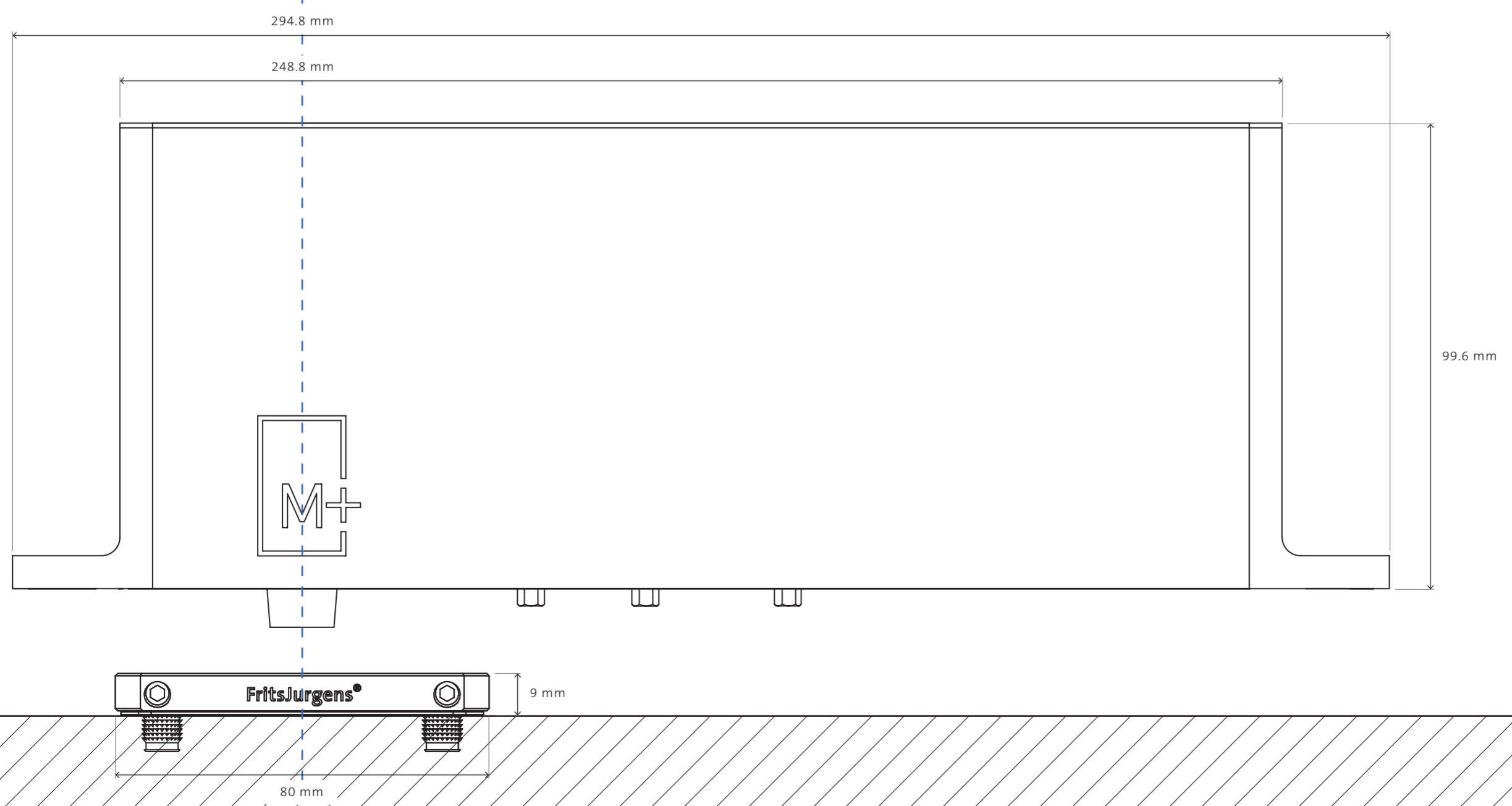
9 mm

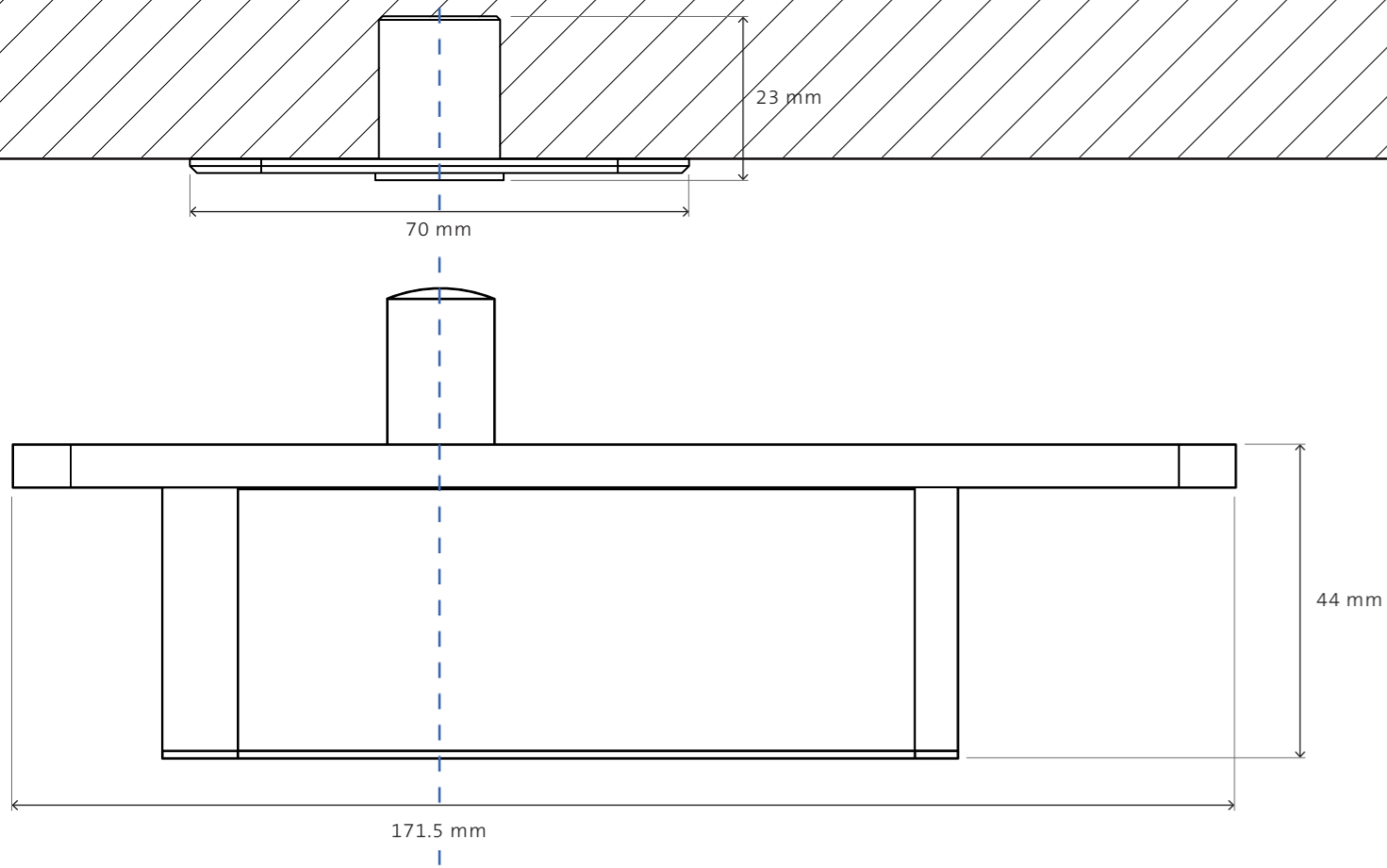
80 mm



70 mm from the side of the door

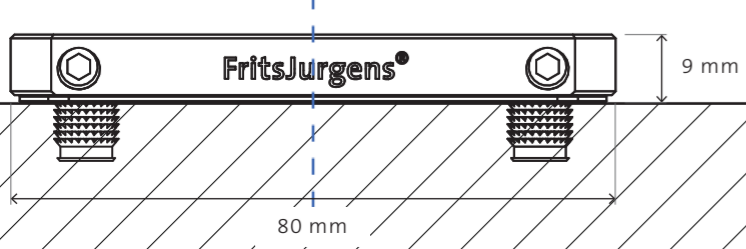
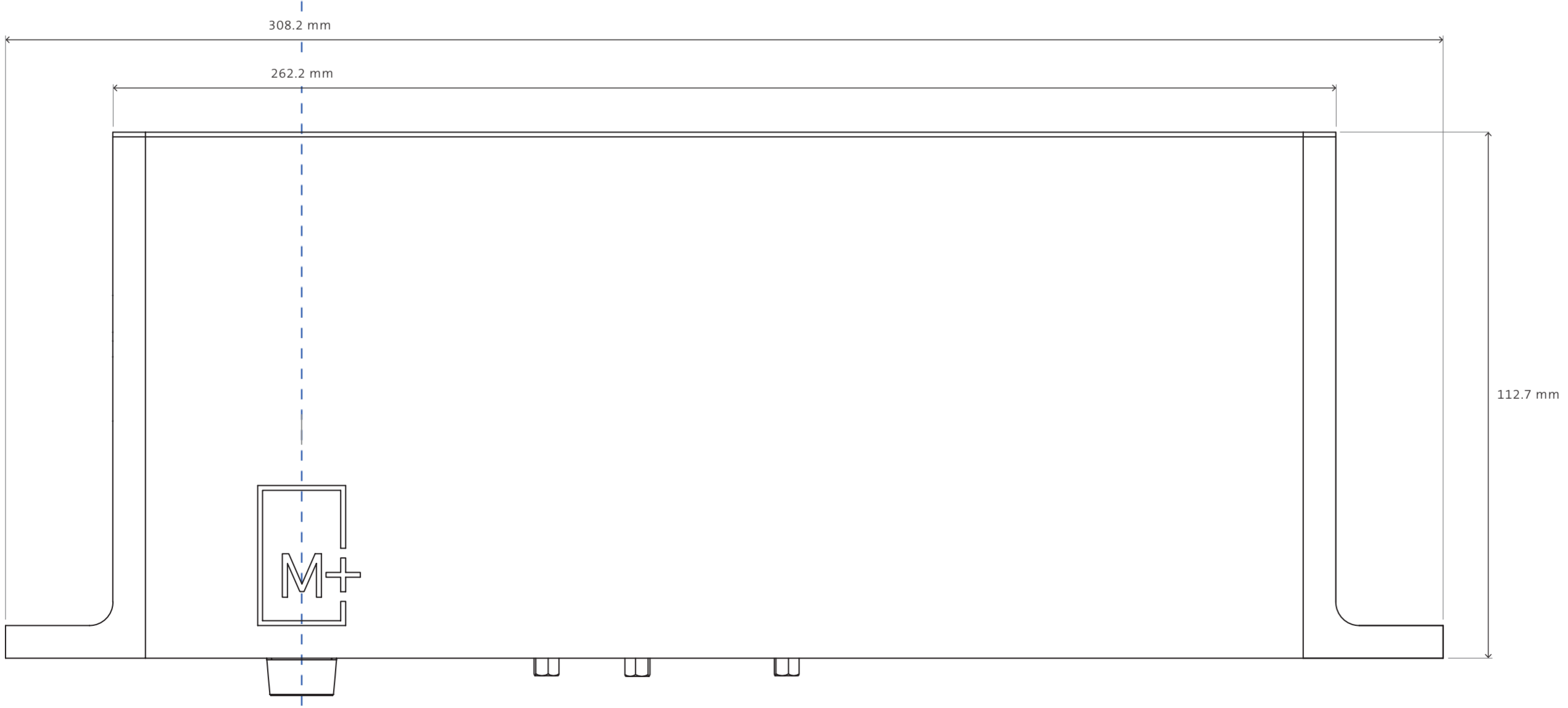
System M+, pivot position ≥ 70 mm (Class A-E)

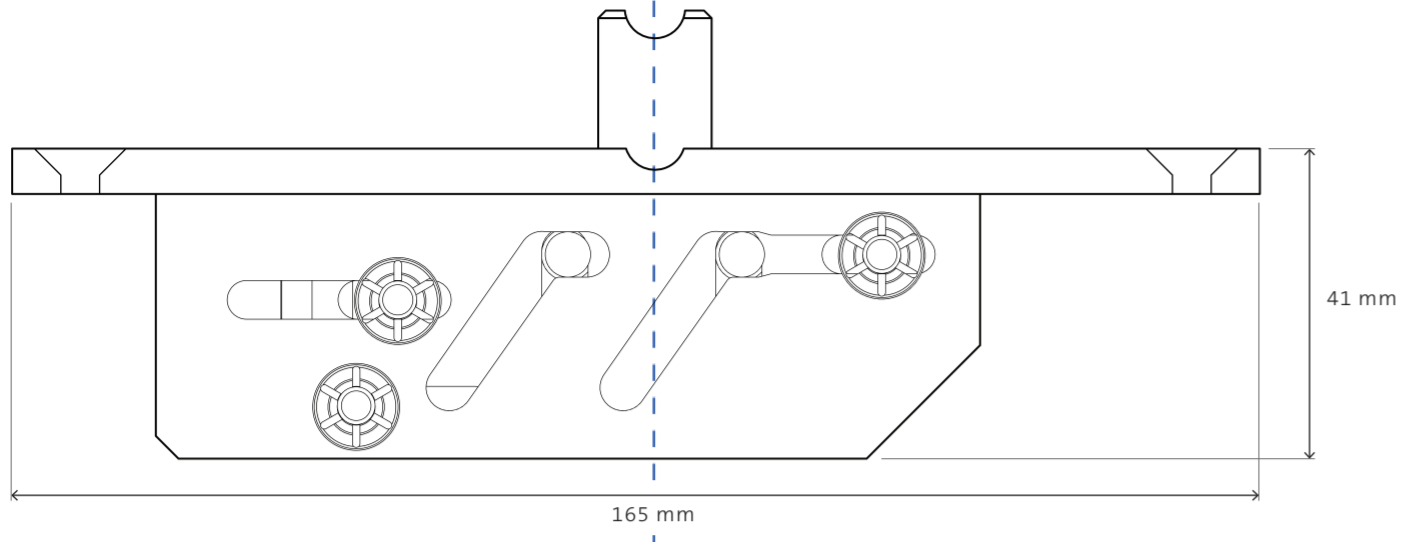
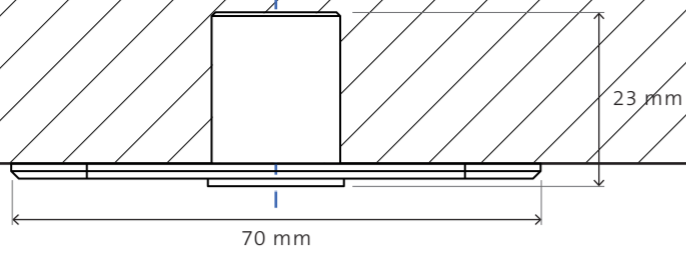




← 70 mm from the side of the door

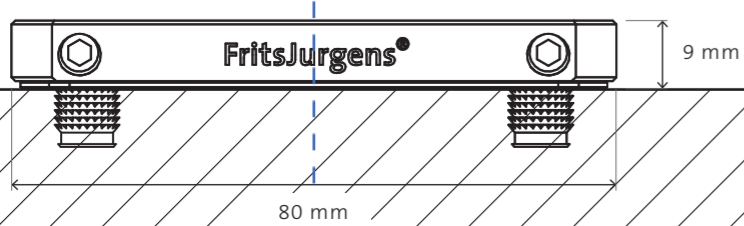
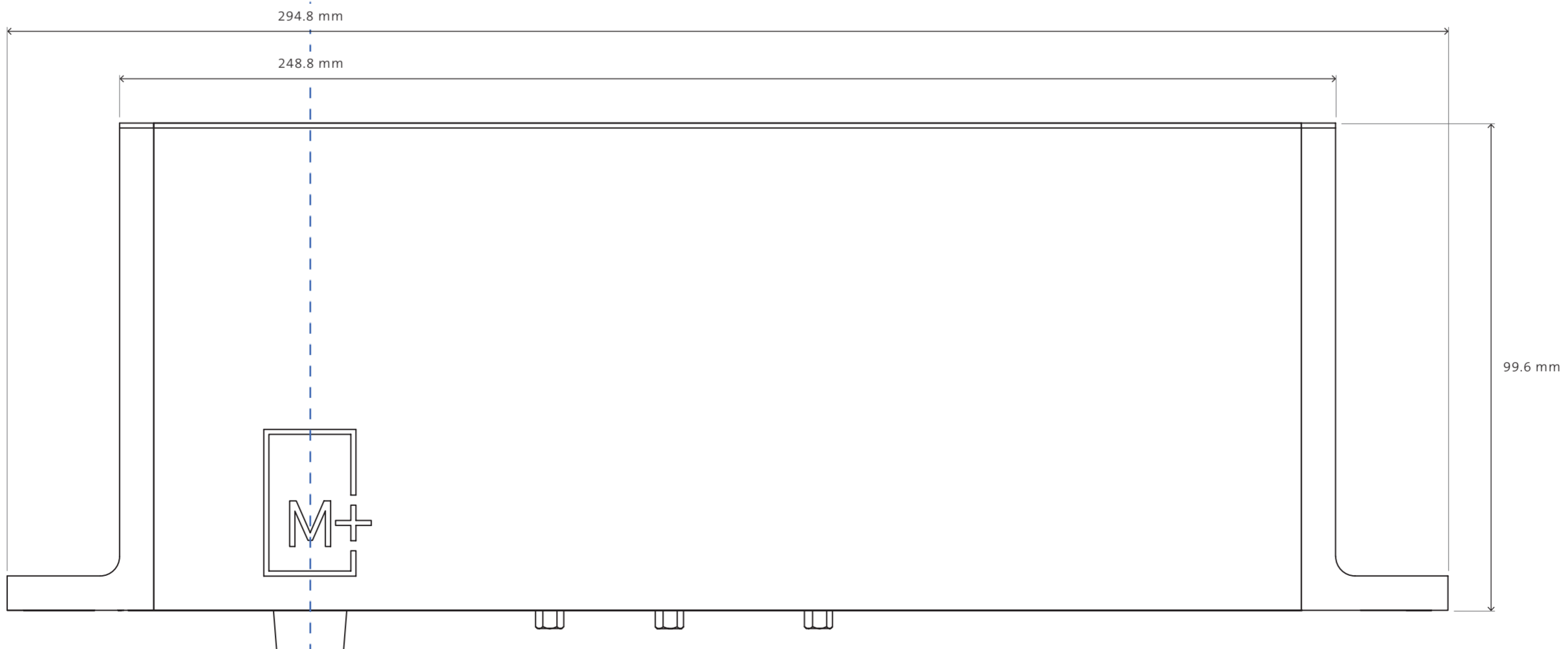
System M+, pivot position ≥ 70 mm (Class F-G)



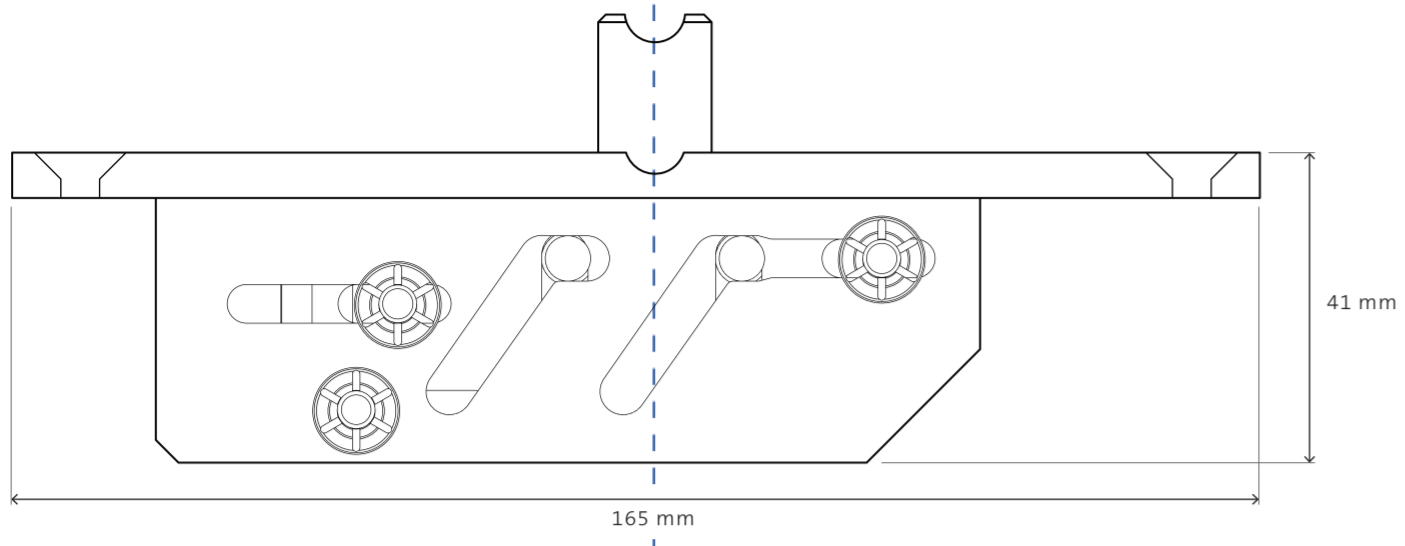
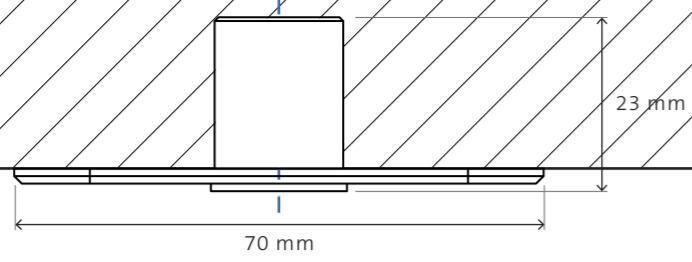


91 mm from the side of the door

System M+, pivot position ≥ 91 mm with Cable Grommet (Class A-E)

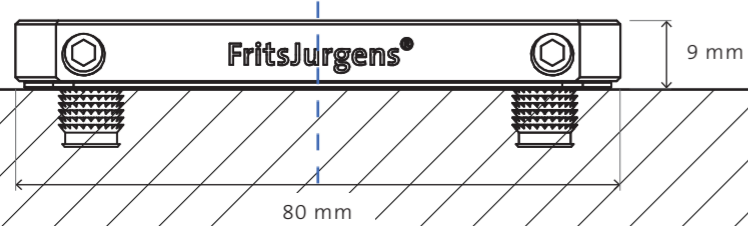


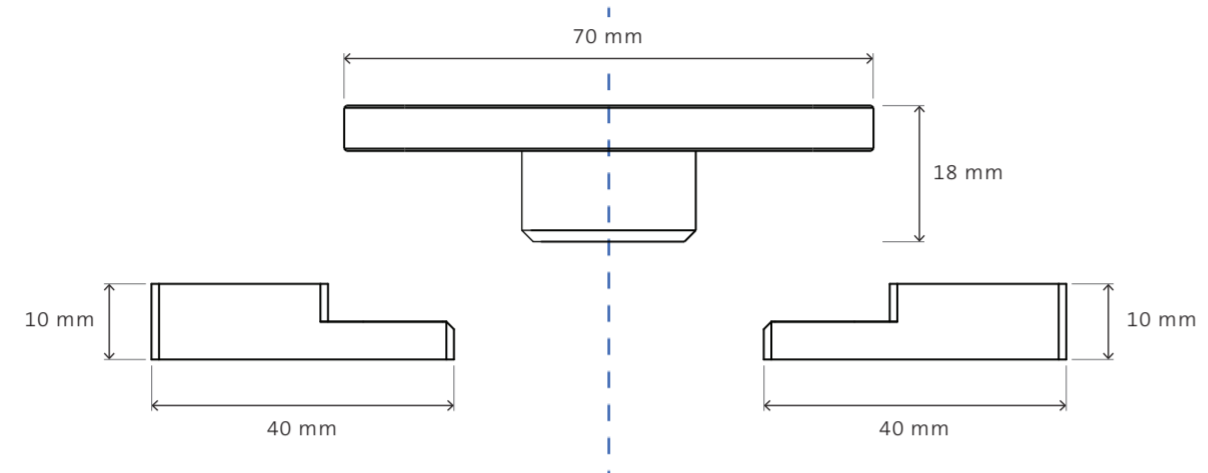
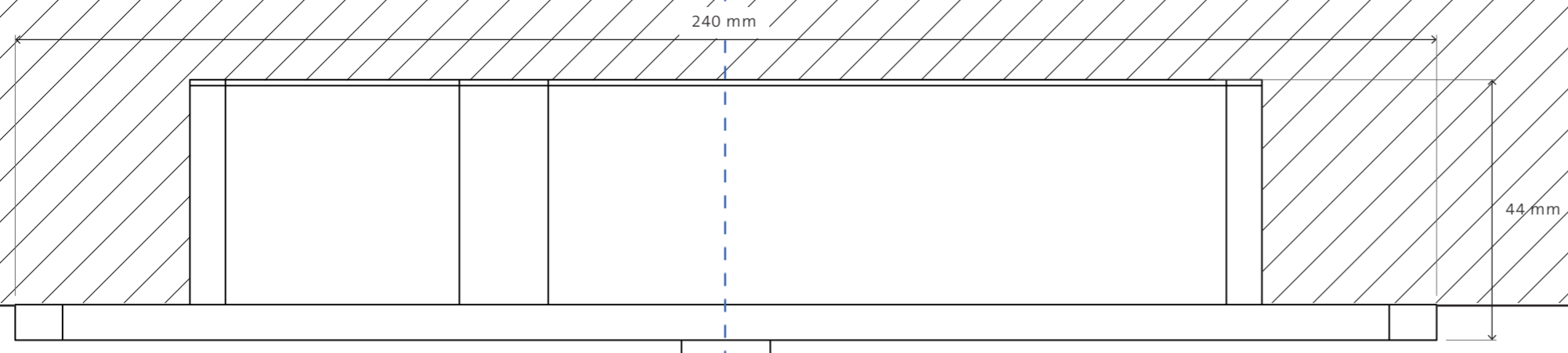
FritsJurgens®



91 mm from the side of the door

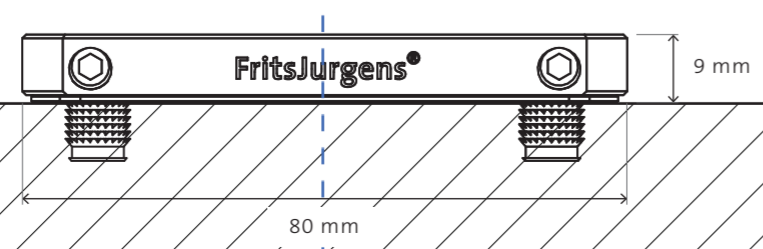
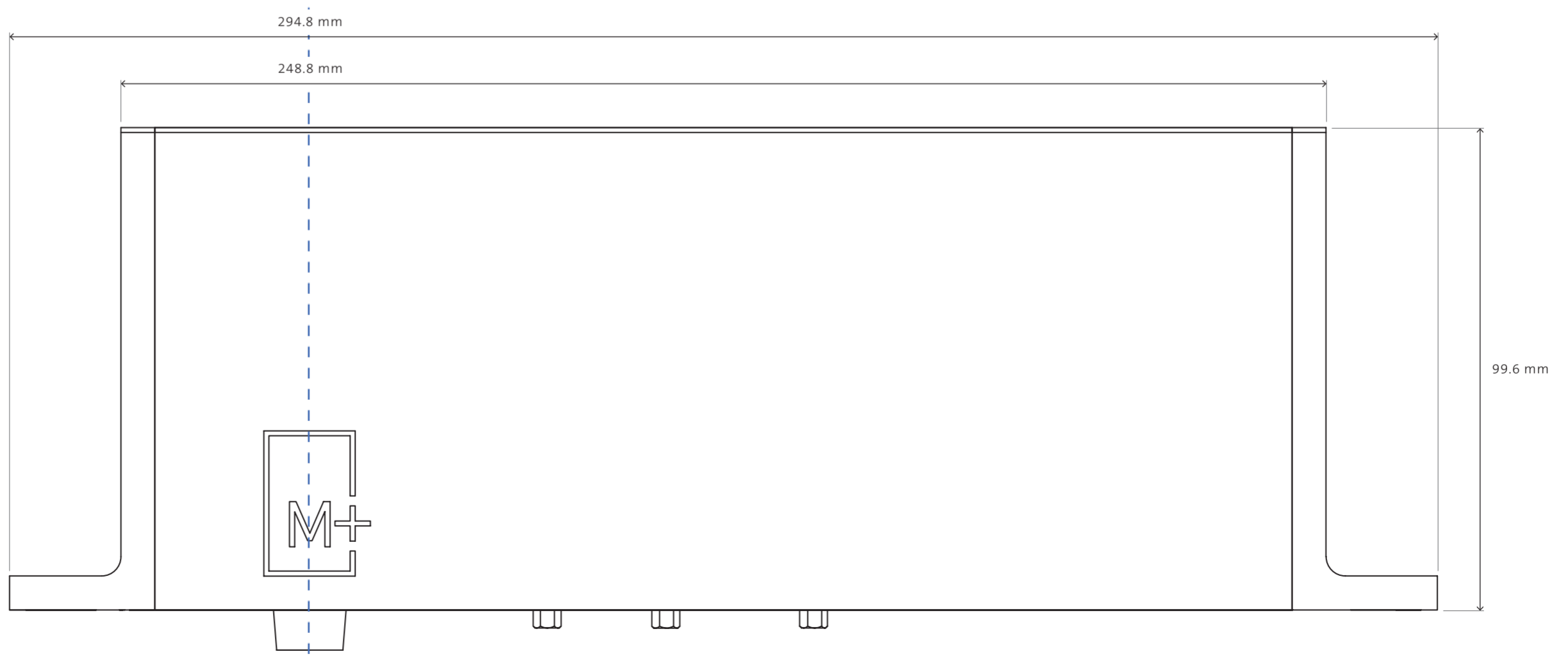
System M+, pivot position ≥ 91 mm with Cable Grommet (Class F-G)

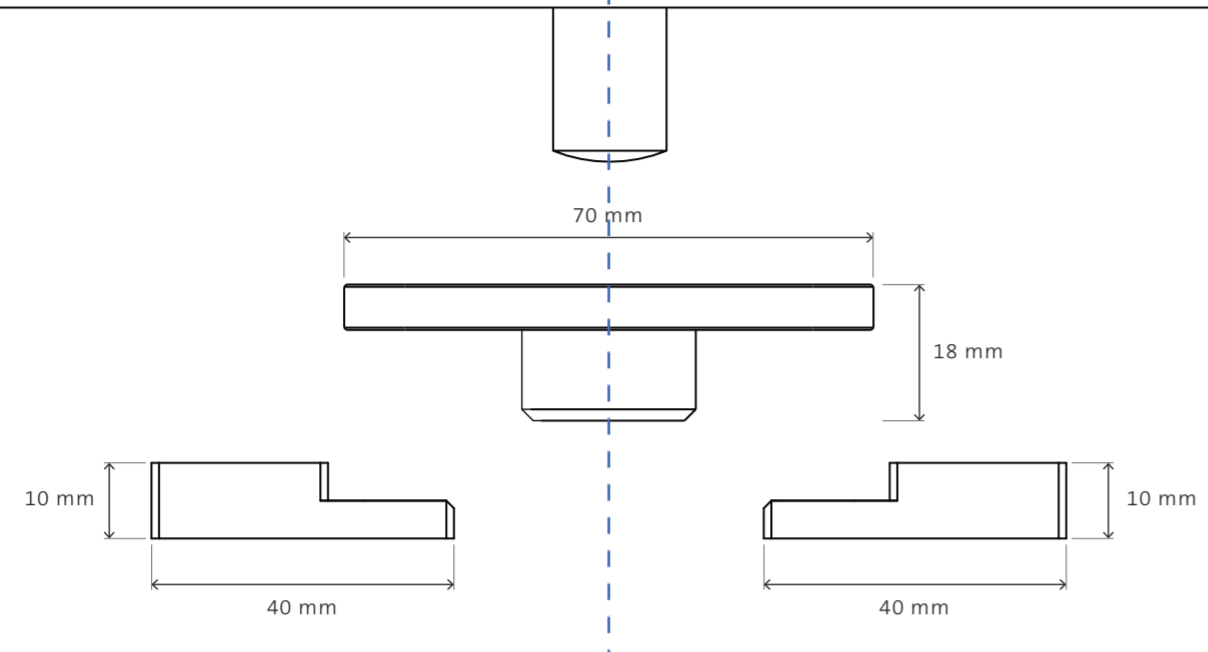
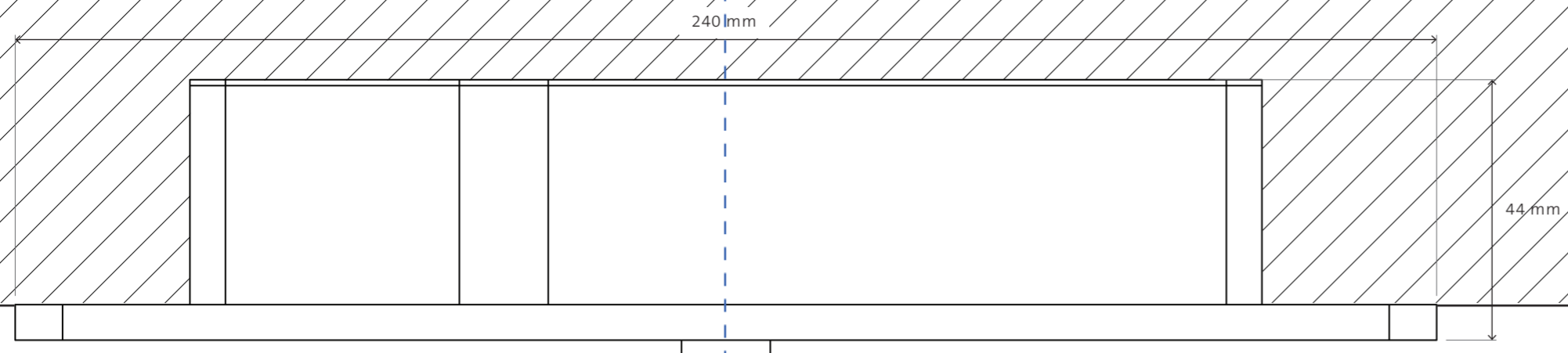




130 mm from the side of the door

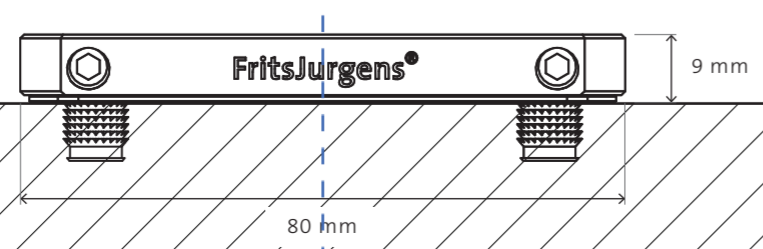
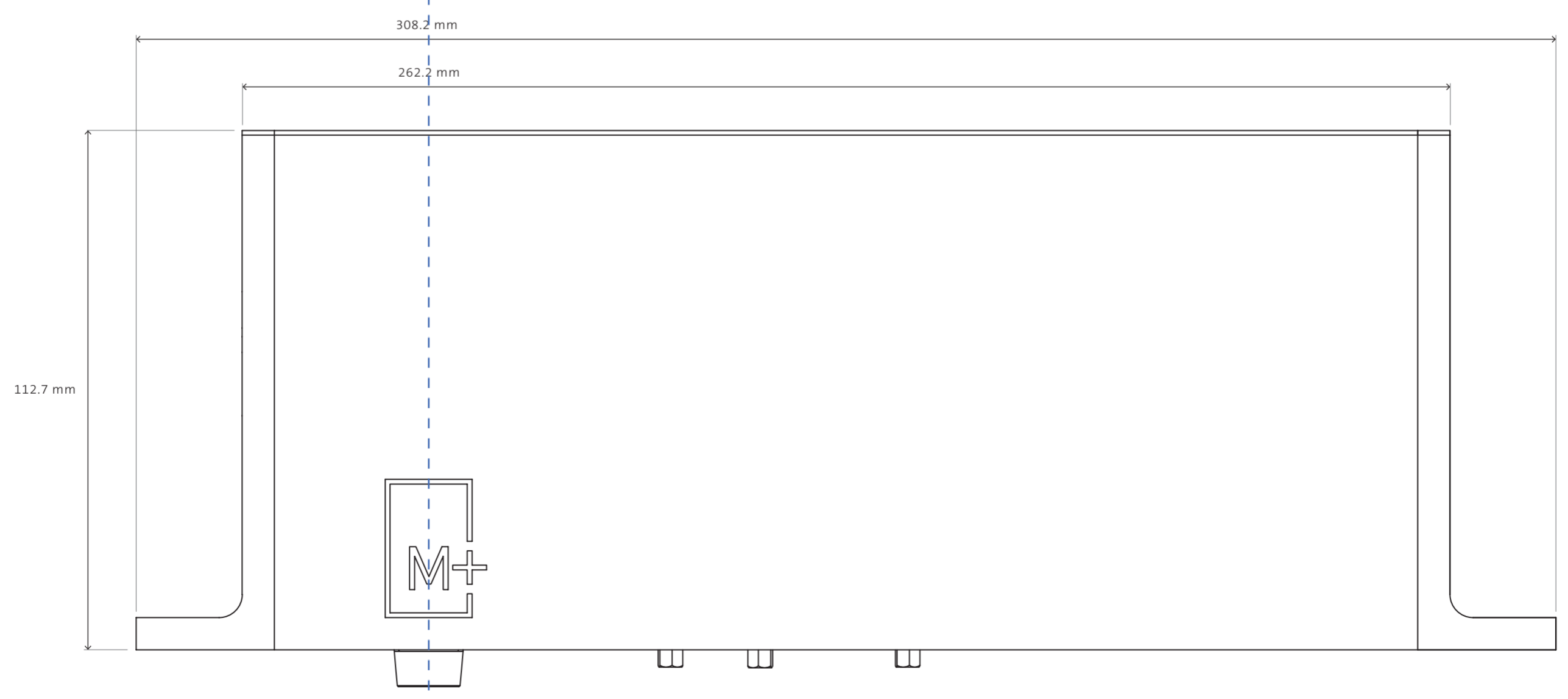
System M+, pivot position ≥ 130 mm (Class A-E)





← 130 mm from the side of the door

System M+, pivot position ≥ 130 mm (Class E-G)



FRITSJURGENS INTERNATIONAL

A. Einsteinlaan 1
9615 TE Kolham
The Netherlands
+31 598 343 410
info@fritsjurgens.com

FRITSJURGENS ITALY (REGIONAL SALES OFFICE)

Via Marsilio Ficino 22
50132 Firenze
Italy
+39 055 064 0290
info@fritsjurgens.com

FRITSJURGENS CONSULTING FZE (REGIONAL SALES OFFICE)

Premises No. HD67
Floor 25
Sheikh Rashid Tower
Dubai World Trade Centre
Dubai, UAE

FritsJurgens®

MM.Case.2023
Copyright © FritsJurgens®
03-2023

