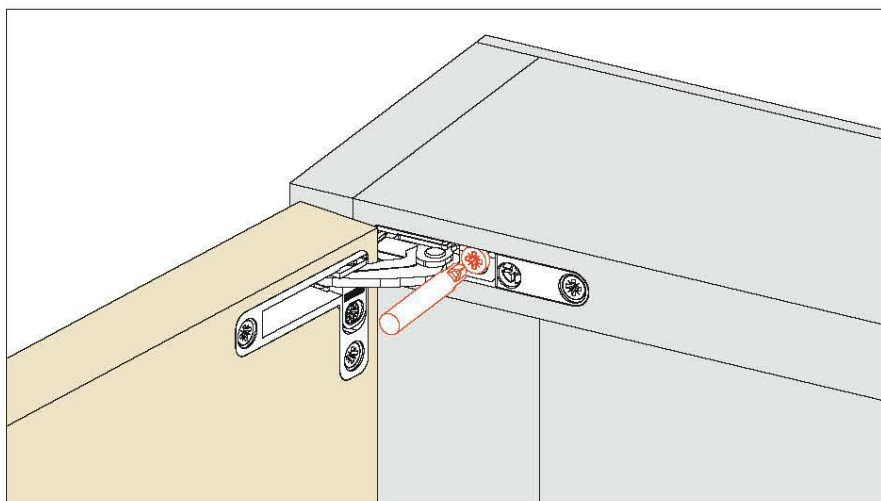
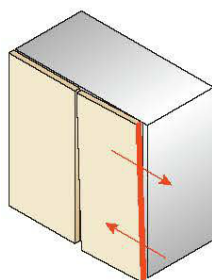
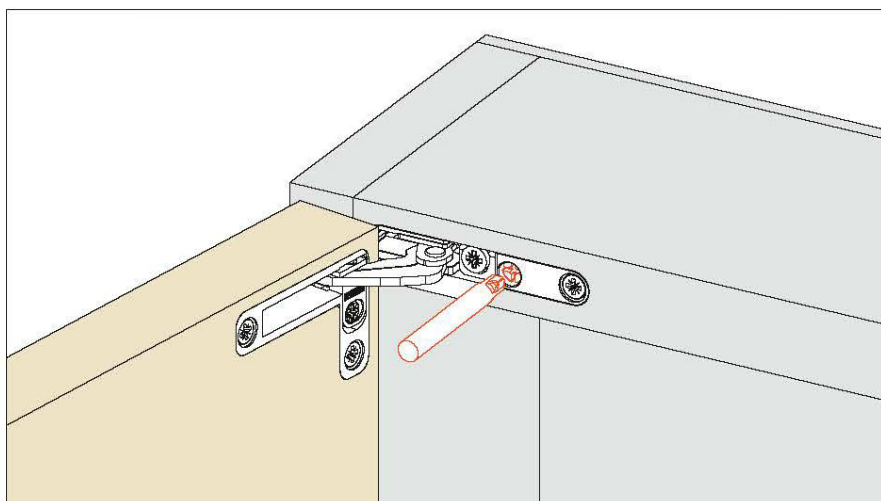
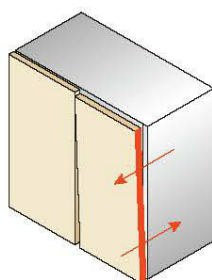


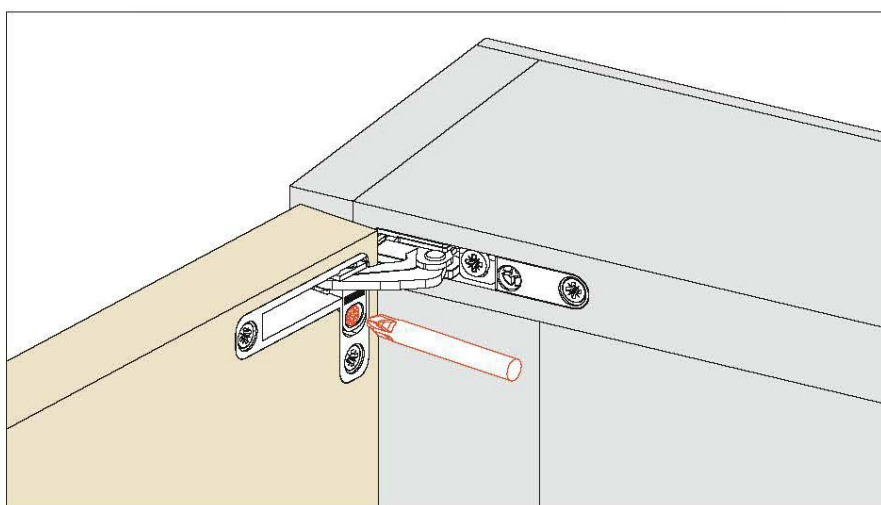
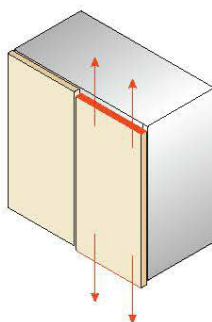
### Sideways adjustment from +2 to -2



### Depth adjustment from +2 to -0.5



### Height adjustment from +1.5 to -1.5



PLAN

AFREGELN SALICE AIR SCHARNIEREN BIJ KADRE - KADRE REVERSE

PRODUCT  
GROEP

KADRE KASTDEUREN DCDF

VERSIE

13-09-2021

**DECEUNINCK DEFORCE**  
DÉ BETROUWBARE PARTNER VOOR  
INTERIEURBOUWERS EN ARCHITECTEN

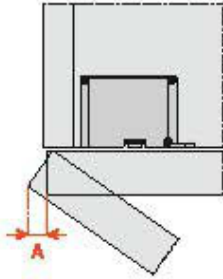


### Technical features

**Air hinges, with integrated soft close mechanism or Push self-opening system, are small and compact. They are fitted to the top and bottom panel of the cabinet.**

For min. 18 mm thick wooden doors and for aluminium-framed doors.  
 Max. door weight 20 Kg  
 Max. dimensions of the door : height 2100 mm, width 600 mm.  
 16.5 mm deep metal cup.  
 L = 2.5 mm  
 105° opening  
 Possible drilling distance on the door (K): from 3 to 6 mm for wooden doors.  
 Fixed K = 4 mm for aluminium-framed doors.

### Space needed to open the door

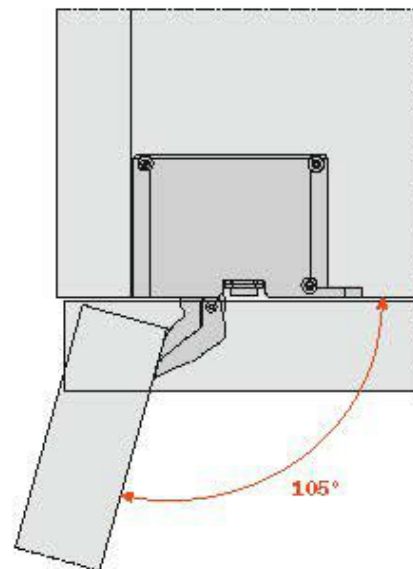
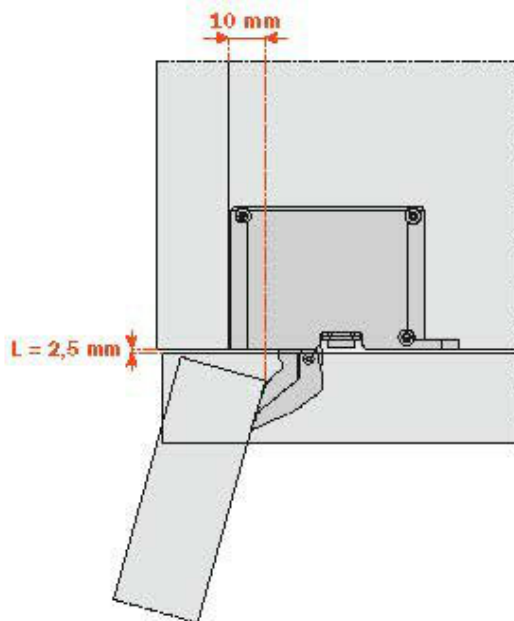


T=	18	20	22	24	26	28	30	32
K=3	A= 0	0.2	0.5	0.8	2.3	4.9	7.5	10.0
K=4	A= 0	0.2	0.4	0.8	1.3	3.9	6.5	9.0
K=5	A= 0	0.2	0.4	0.8	1.3	2.9	5.5	8.0
K=6	A= 0	0.2	0.4	0.8	1.2	1.9	4.5	7.0

The above values are calculated on the assumption that the doors have square edges. They are reduced if the doors have radiussed edges.

### Projection of the door

Projection of the door from the cabinet side at the max. opening.  
 The figures are based on K value = 3 and door overlay = 19 mm.



PLAN SPECIFICATIES SALICE AIR SCHARNIEREN VOOR KADRE - KADRE REVERSE

PRODUCT GROEP KADRE KASTDEUREN DCDF

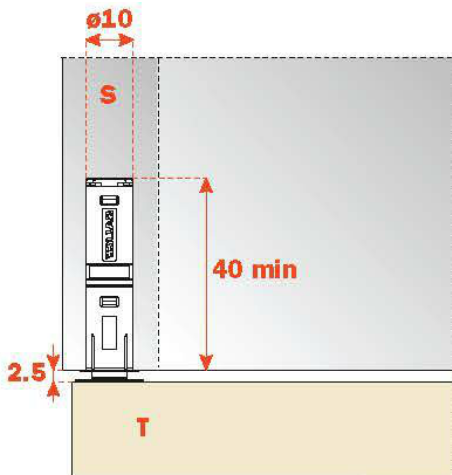
VERSIE 13-09-2021

**DECEUNINCK DEFORCE**  
 DÉ BETROUWBARE PARTNER VOOR  
 INTERIEURBOUWERS EN ARCHITECTEN

## Application of the release device to be recessed

Drill a hole  $\varnothing$  10 mm and min. 40 mm depth in the top, the side or the base panel of the cabinet.

Insert the release device into the hole.



## Retaining catch with adhesive strip

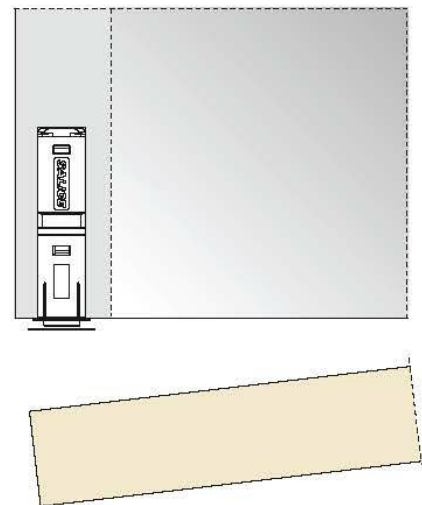
Apply the retaining catch to the magnetic release device. Remove the protective strip from the adhesive. Close the door. In this way the retaining catch is positioned on the door. Reopen the door and apply a firm pressure to the retaining catch to ensure a correct installation.

### ATTENTION:

For a correct application and to ensure optimal endurance, we suggest these guidelines are followed:

- 1 - clean and degrease the door surface where the retaining catch is to be installed;
- 2 - remove the protective strip from the adhesive;
- 3 - place the retaining catch in position, in a place that is at room temperature  $\geq 10^\circ$  and apply a firm pressure for 10-15 seconds.

After few seconds from the installation the retaining catch is suitable for the use.  
After 24h the max. hold is attained.



PLAN PLAATSING SALICE AIR TIPON BIJ KADRE - KADRE REVERSE

PRODUCT GROEP KADRE KASTDEUREN DCDF

VERSIE 13-09-2021

**DECEUNINCK DEFORCE**  
DÉ BETROUWBARE PARTNER VOOR  
INTERIEURBOUWERS EN ARCHITECTEN